

1

2

3

4

A

B

C

D

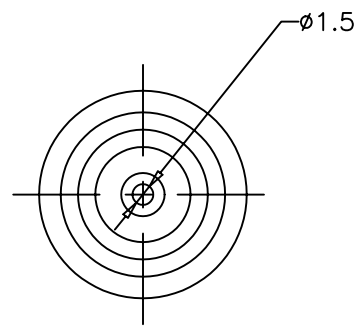
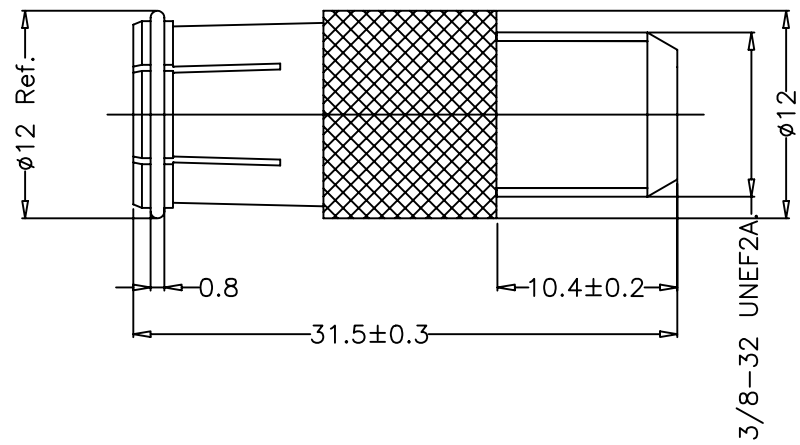
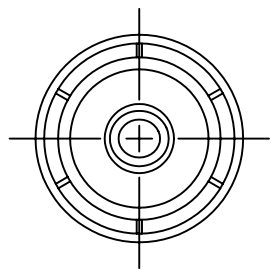
A

B

C

D

NOTE : THE APPEARANCE AND CHARACTERISTIC REQUESTED TO SPECIFICATION.



UNIT mm	GENERAL DIMENSION TOLERANCE	
MATERIAL	NUM ± 0.3	ANG ±
	UNLESS OTHERWISE SPECIFIED TOLERANCE	

TITLE ADAPTOR(IEC FEMALE SOC -KET TO F FEMALE JACK)

REVISION STATUS OF SHEETS	
ISSUE	SHEETS
1	1/1

REV	DESCRIPTION	DRWN	DATE

CONNECT-TECH PRODUCTS CORP.

3RD ANGLE	SCALE	DSGD	DRWN	CHKD	APPD	DATE
		黄福堂	黄福堂	曾其勇	曾其勇	07.17.1998.

CTP-128-6253

1

2

3

4