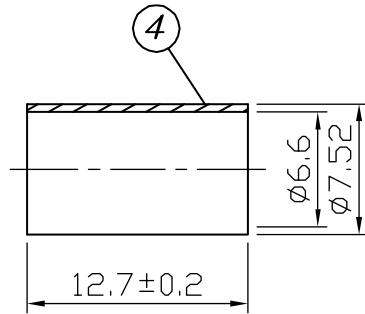
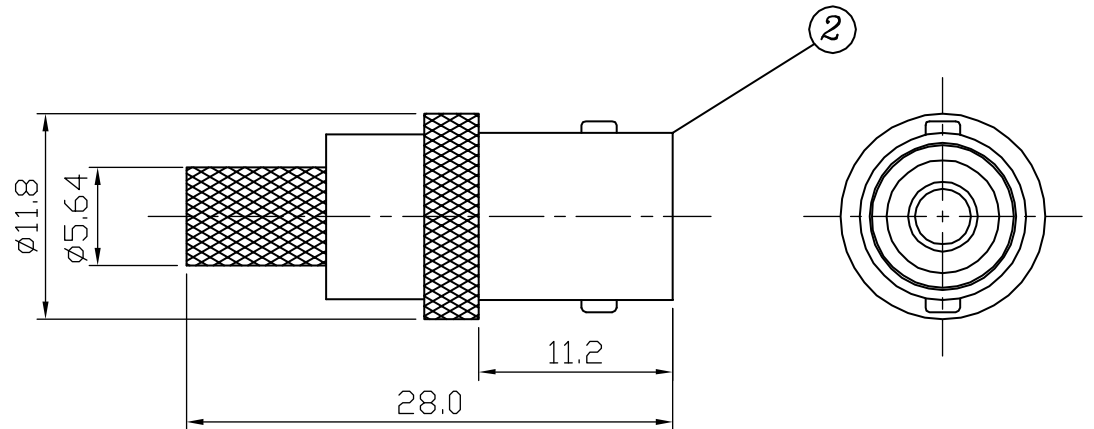
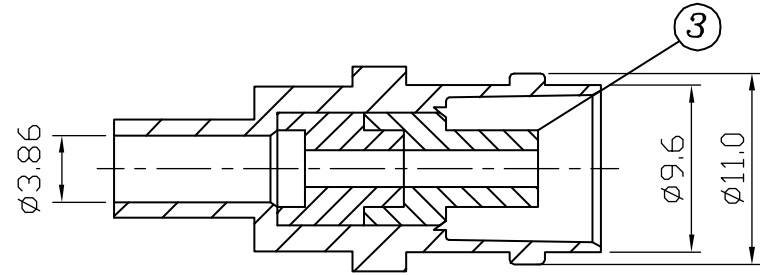
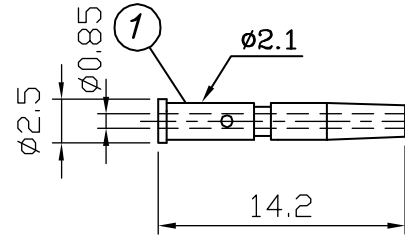


CTP-7BPJ-120-2



FERRULE



- ① CENTER CONTACT : PHOSPHOR BRONZE,GOLD PLATING
 - ② BODY : DIECAST (ZINC#3),NICKEL PLATING
 - ③ INSULATOR : DELRIN (94 V-0)
 - ④ FERRULE:BRASS,NICKEL PLATING
- Normal Impedance* --75Ω
Frequency Range --0-4 GHz
Operating Voltage --500 volts rms
Contact Resistance --3.0 milliohms max.(gold)
Insulation Resistance --5000 megohms min



Phone 1-800-809-2751

Fax 1-510-440-0579

www.connect-tech-products.com • info@connect-tech-products.com

4428 Technology Drive • Fremont, CA 94538, USA • 510-498-8815 • Fax: 510-440-0579