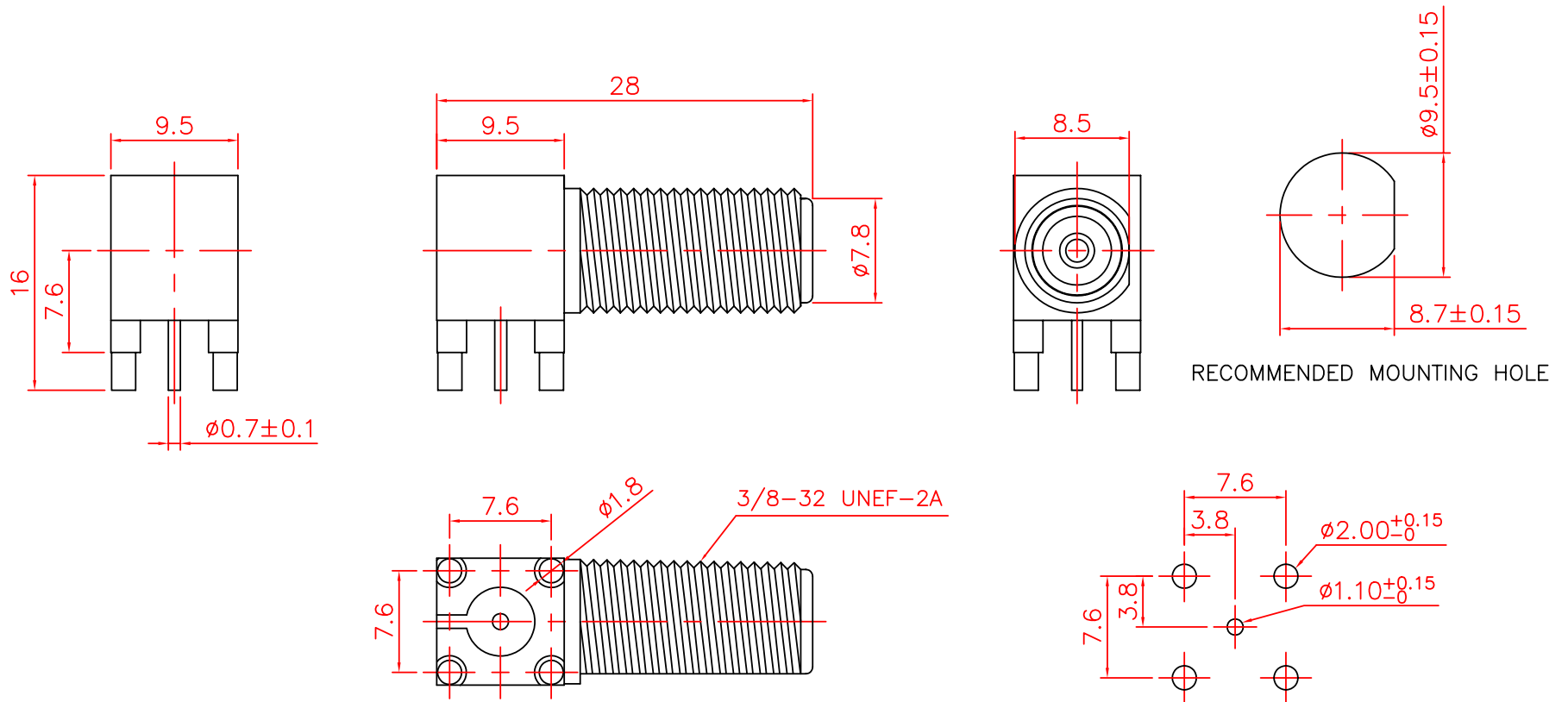


CTP-F-219



MATERIAL & FINISH

BODY: ZINC ALLOY / NICKEL PLATING

INSULATOR : PE-606

CENTER CONTACT: PHOSPHOR BRONZE / TIN LEAD PLATING



Phone 1-800-809-2751

Fax 1-510-440-0579

www.connect-tech-products.com • info@connect-tech-products.com

4428 Technology Drive • Fremont, CA 94538, USA • 510-498-8815 • Fax: 510-440-0579