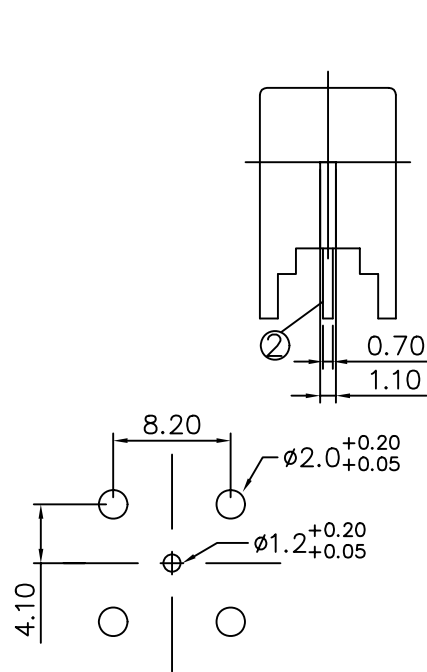
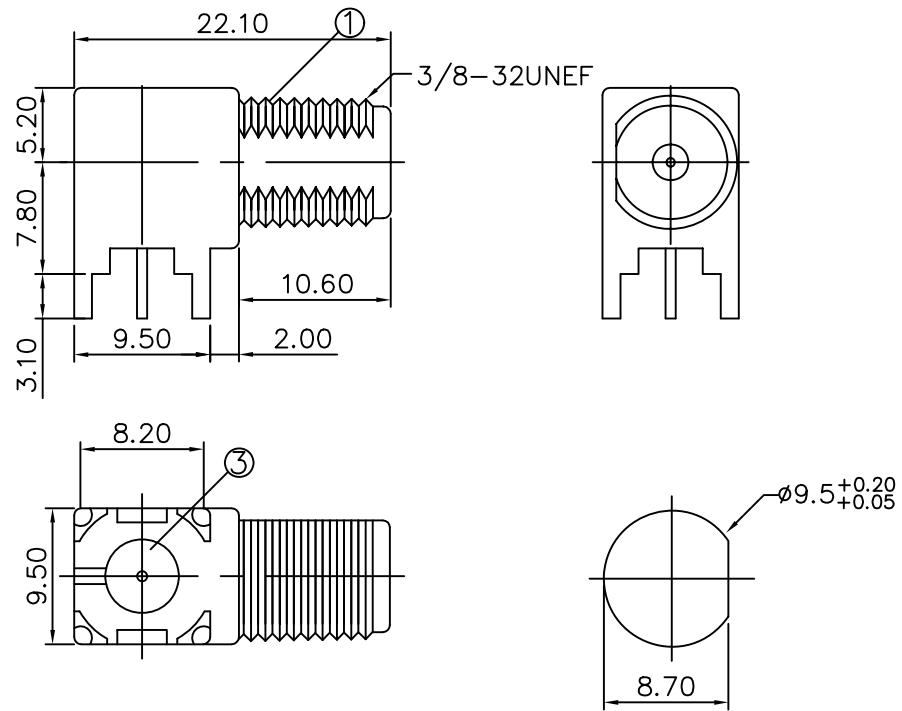


CTP-FE-22-09



RECOMMENDED PC BOARD LAYOUTS
WITHOUT MOUNTING POSTS



RECOMMENDED MOUNTING HOLE

MATERIAL & FINISH

- ① BODY : ZINC ALLOY, NICKEL PLATING
- ② CENTER CONTACT : PHOSPHOR BRONZE, TIN PLATING
- ③ INSULATOR : TPX



Phone 1-800-809-2751

Fax 1-510-440-0579

www.connect-tech-products.com • info@connect-tech-products.com

4428 Technology Drive • Fremont, CA 94538, USA • 510-498-8815 • Fax: 510-440-0579