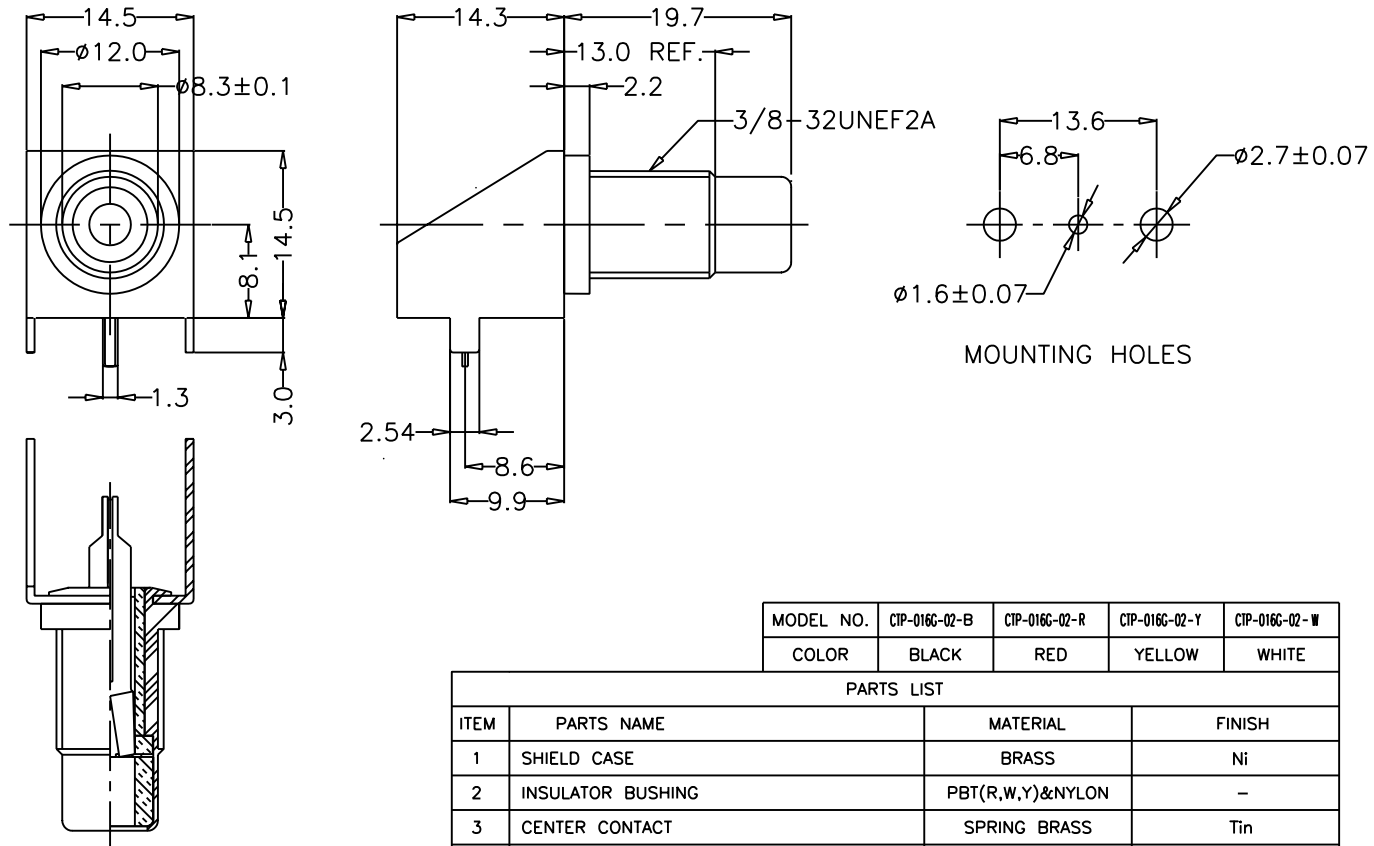


CTP-016G-02



MODEL NO.	CTP-016G-02-B	CTP-016G-02-R	CTP-016G-02-Y	CTP-016G-02-W
COLOR	BLACK	RED	YELLOW	WHITE

PARTS LIST			
ITEM	PARTS NAME	MATERIAL	FINISH
1	SHIELD CASE	BRASS	Ni
2	INSULATOR BUSHING	PBT(R,W,Y)&NYLON	-
3	CENTER CONTACT	SPRING BRASS	Tin
4	INSULATOR WASHER	GLASS FIBRE	-
5	BRACKET	C.R.STEEL	Tin



Phone 1-800-809-2751

Fax 1-510-440-0579

www.connect-tech-products.com • info@connect-tech-products.com

4428 Technology Drive • Fremont, CA 94538, USA • 510-498-8815 • Fax: 510-440-0579