

1

2

3

4

A

B

C

D

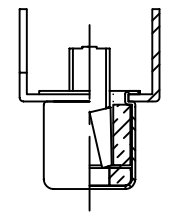
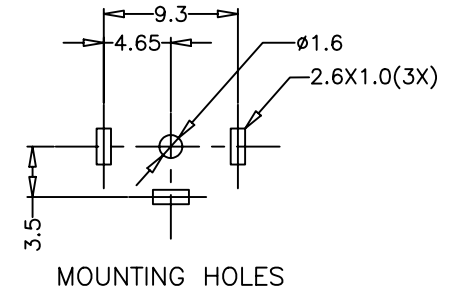
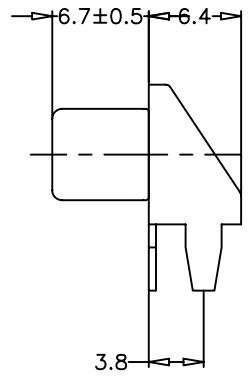
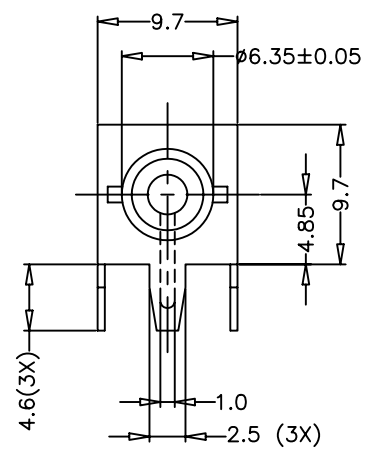
A

B

C

D

NOTE : THE APPEARANCE AND CHARACTERISTIC REQUESTED TO SPECIFICATION.



THIS CONNECTOR ACCEPT FOR Ø2.35mm DIA. MINI RCA PLUG ONLY.

PARTS LIST				
ITEM	PARTS NAME	PARTS NO.	MATERIAL	FINISH
1	SHIELD CASE	J-024A-00	C.R.STEEL	Tin
2	INSULATOR BUSHING	J-006B-03	CERAMIC	-
3	CENTER CONTACT	J-023C-00	PHOSPHOR BRONZE	Tin Lead
4	INSULATOR WASHER	J-015D-04	PHENOLIC	-
5	BRACKET	J-028A-02	C.R.STEEL	Tin

UNIT mm	GENERAL DIMENSION TOLERANCE
MATERIAL	NUM ± 0.3      ANG ±
	UNLESS OTHERWISE SPECIFIED TOLERANCE
	IF METAL PARTS FINISH IS GOLD PLATED: G1= Shield case only. G2= Shield case & center contact. G3= All metal parts.

TITLE *MINI RCA JACK*

REVISION STATUS OF SHEETS	
ISSUE	SHEETS
3	1/1

3RD ANGLE	SCALE	DSGD	DRWN	CHKD	APPD	DATE
		黃福堂	黃福堂	曾其勇	曾其勇	05.22.1998.

*CTP-174-05*

REV	DESCRIPTION	DRWN	DATE
-----	-------------	------	------

CONNECT-TECH PRODUCTS CORP.

1

2

3

4