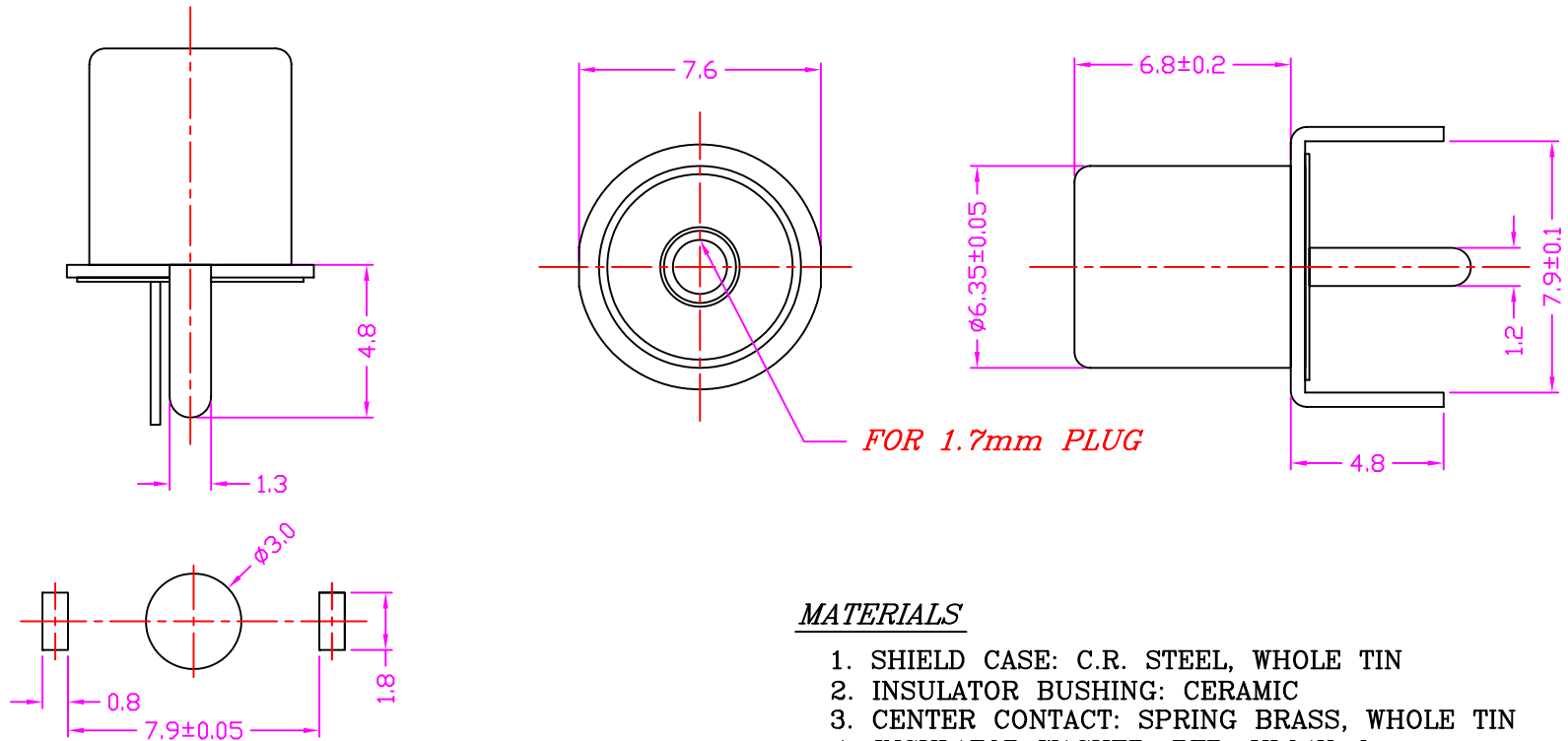


CTP-174-6A-1



RECOMMEND PCB LAYOUT
TOP VIEW

MATERIALS

1. SHIELD CASE: C.R. STEEL, WHOLE TIN
2. INSULATOR BUSHING: CERAMIC
3. CENTER CONTACT: SPRING BRASS, WHOLE TIN
4. INSULATOR WASHER: RFP, UL94V-0
5. BRACKET: C.R. STEEL, WHOLE TIN

PART NUMBER

C T P - 1 7 4 - 6 A - 1



Phone 1-800-809-2751

Fax 1-510-440-0579

www.connect-tech-products.com • info@connect-tech-products.com

4428 Technology Drive • Fremont, CA 94538, USA • 510-498-8815 • Fax: 510-440-0579