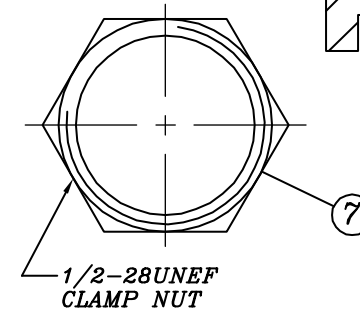
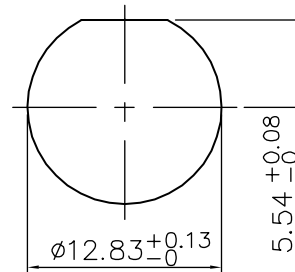
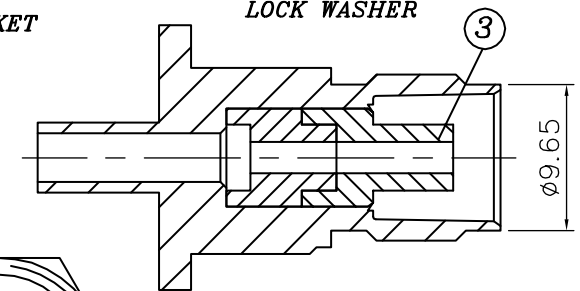
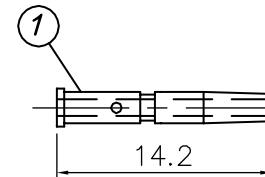
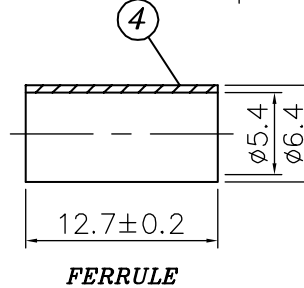
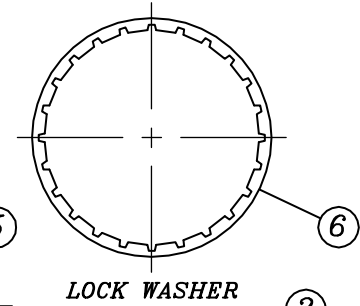
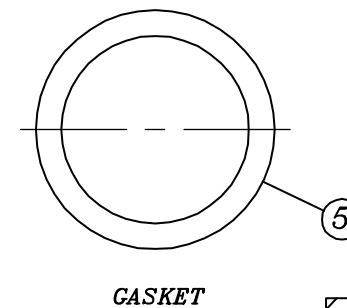
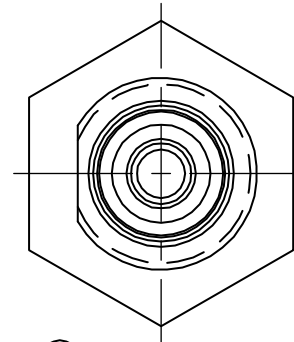
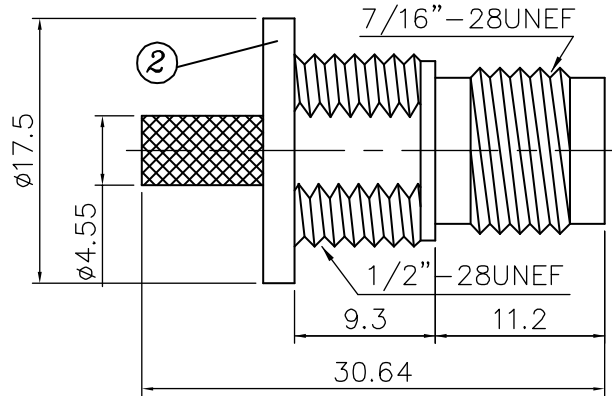


# CTP-TH-02 CTP-7TH-02



## MATERIAL & FINISH

- ① CENTER CONTACT : PHOSPHOR BRONZE, GOLD PLATING
- ② BODY : DIECAST (ZINC#3), NICKEL PLATING
- ③ INSULATOR : DELRIN (94 V-0)
- ④ FERRULE : BRASS, NICKEL PLATING
- ⑤ GASKET : RUBBER
- ⑥ WASHER : PHOSPHOR BRONZE, NICKEL PLATING
- ⑦ NUT : BRASS, NICKEL PLATING

Normal Impedance --50/75Ω  
 Frequency Range --0-4 GHz  
 Operating Voltage --500 volts rms  
 Contact Resistance --3.0 milliohms max.(gold)  
 Insulation Resistance --5000 megohms min

RECOMMENDED MOUNTING HOLE  
 MAXIMUM PANEL THICKNESS: 5.5MM  
 RECOMMENDED MOUNTING TORQUE:  
 12 INCH-POUNDS MAX



Phone 1-800-809-2751

Fax 1-510-440-0579

www.connect-tech-products.com • info@connect-tech-products.com

4428 Technology Drive • Fremont, CA 94538, USA • 510-498-8815 • Fax: 510-440-0579