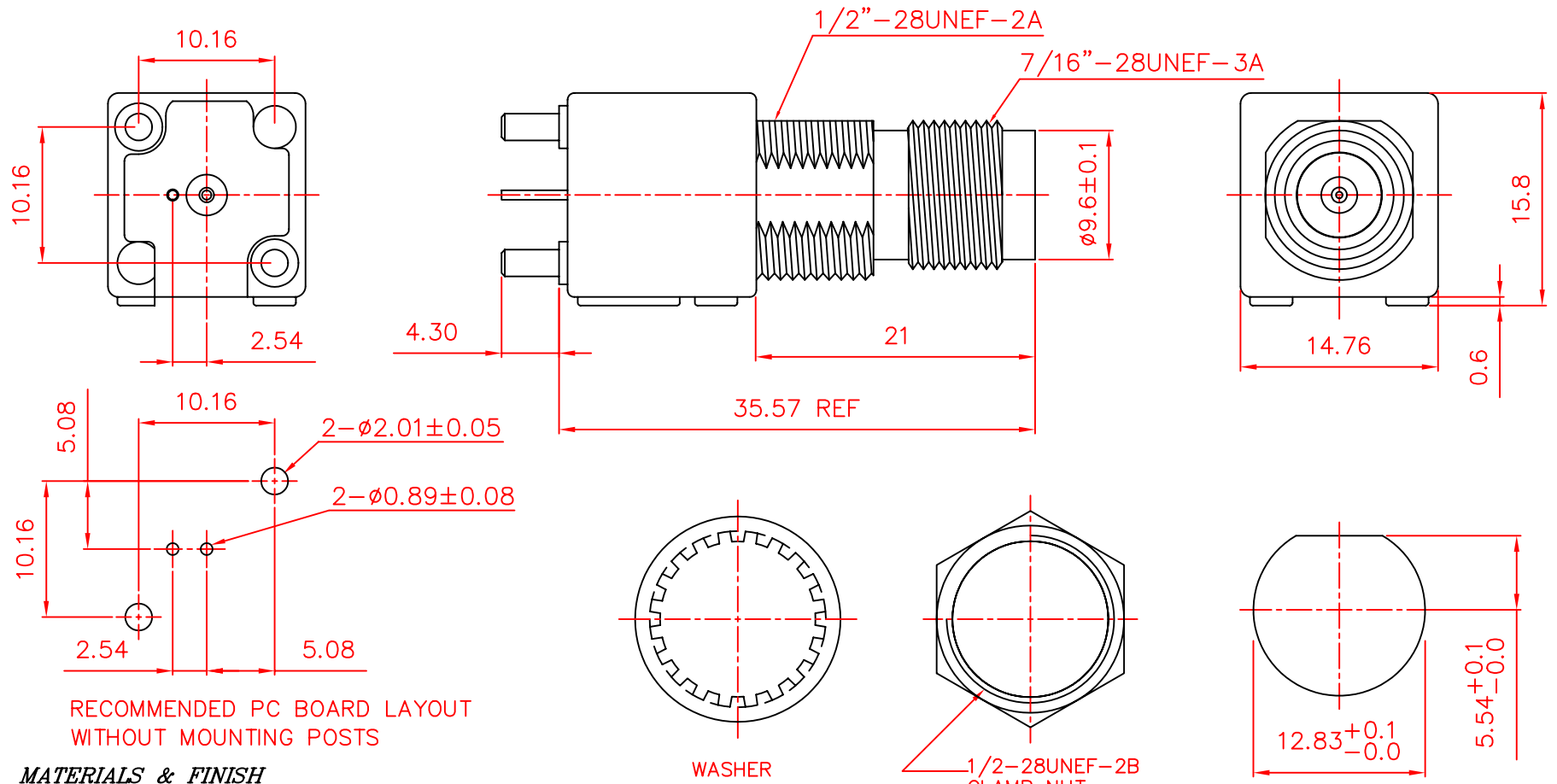


CTP-7TV-1001-H-Z15



RECOMMENDED PC BOARD LAYOUT
WITHOUT MOUNTING POSTS

MATERIALS & FINISH

- CONTACT : PHOSPHOR BRONZE ,15u" GOLD PLATING
- BODY : ZINC ALLOY NICKEL PLATING
- INSULATOR : PE-606
- WASHER : STEEL, NICKEL PLATING
- NUT : BRASS, NICKEL PLATING

RECOMMENDED MOUNTING HOLE
MAXIMUM PANEL THICKNESS: 5.5MM

Phone 1-800-809-2751



Fax 1-510-440-0579

www.connect-tech-products.com • info@connect-tech-products.com

4428 Technology Drive • Fremont, CA 94538, USA • 510-498-8815 • Fax: 510-440-0579