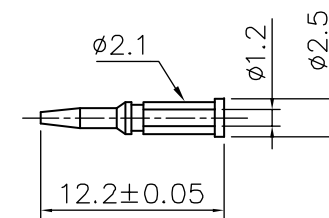
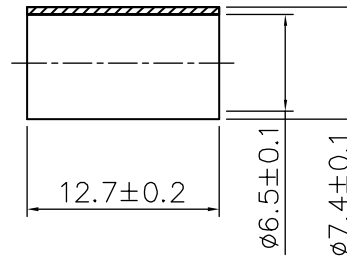
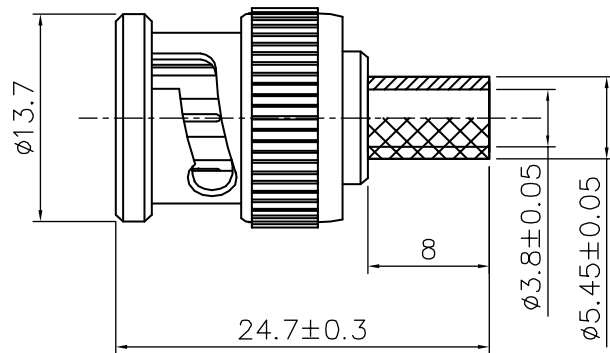


CTP-BP-02 CTP-7BP-02

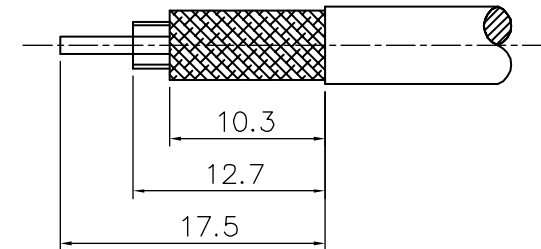
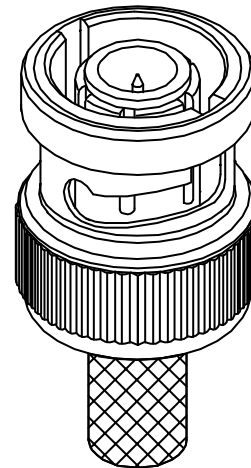


MATERIAL & FINISH

BODY : ZINC ALLOY, NICKEL PLATING
 PIN : BRASS, GOLD PLATING
 DIELECTRIC : DELRIN
 WASHER : BRASS, NICKEL PLATING
 FERRULE : BRASS, NICKEL PLATING
 SPRING : SK-5
 GASKET : SI RUBBER

SPECIFICATION

IMPEDANCE : 50/75 OHM
 VOLTAGE RATING : 500V RMS
 FREQUENCY RANGE : 0~4 GHz
 INTERFACE PER MIL-C-39012C
 FOR RG-59 CABLE



Phone 1-800-809-2751

Fax 1-510-440-0579

www.connect-tech-products.com • info@connect-tech-products.com

4428 Technology Drive • Fremont, CA 94538, USA • 510-498-8815 • Fax: 510-440-0579