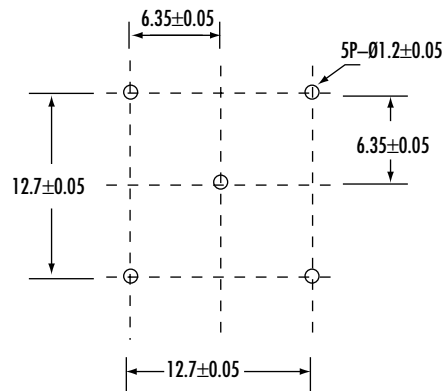
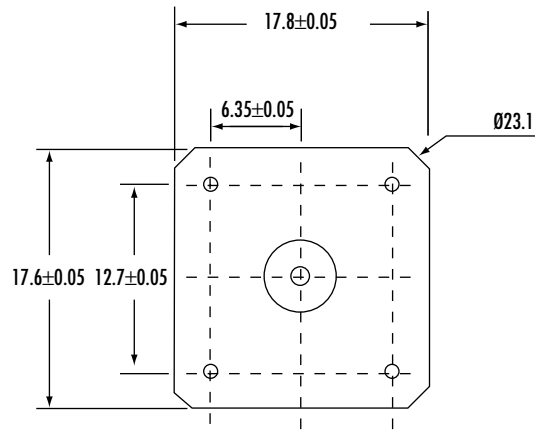


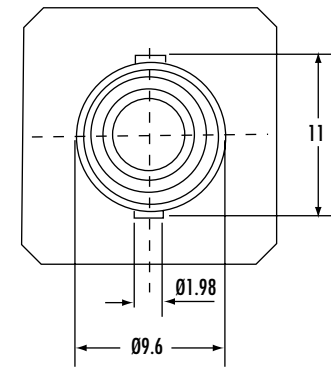
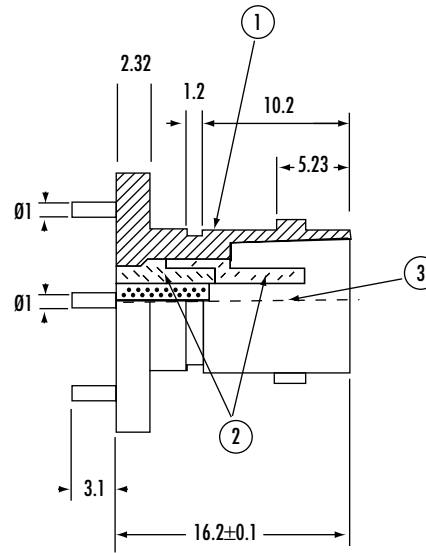
CTP-BV-044 50 OHM

CTP-7BV-044 75 OHM

CTP-BV-044



PCB LAYOUT



MATERIAL & FINISH

- 1. BODY
- 2. INSULATOR
- 3. CENTER CONTACT

ZINC ALLOY/TIN LEAD

PE-606

PHOSPHOR BRONZE/GOLD

Phone 1-800-809-2751



Fax 1-510-440-0579

www.connect-tech-products.com • info@connect-tech-products.com

4428 Technology Drive • Fremont, CA 94538, USA • 510-498-8815 • Fax: 510-440-0579