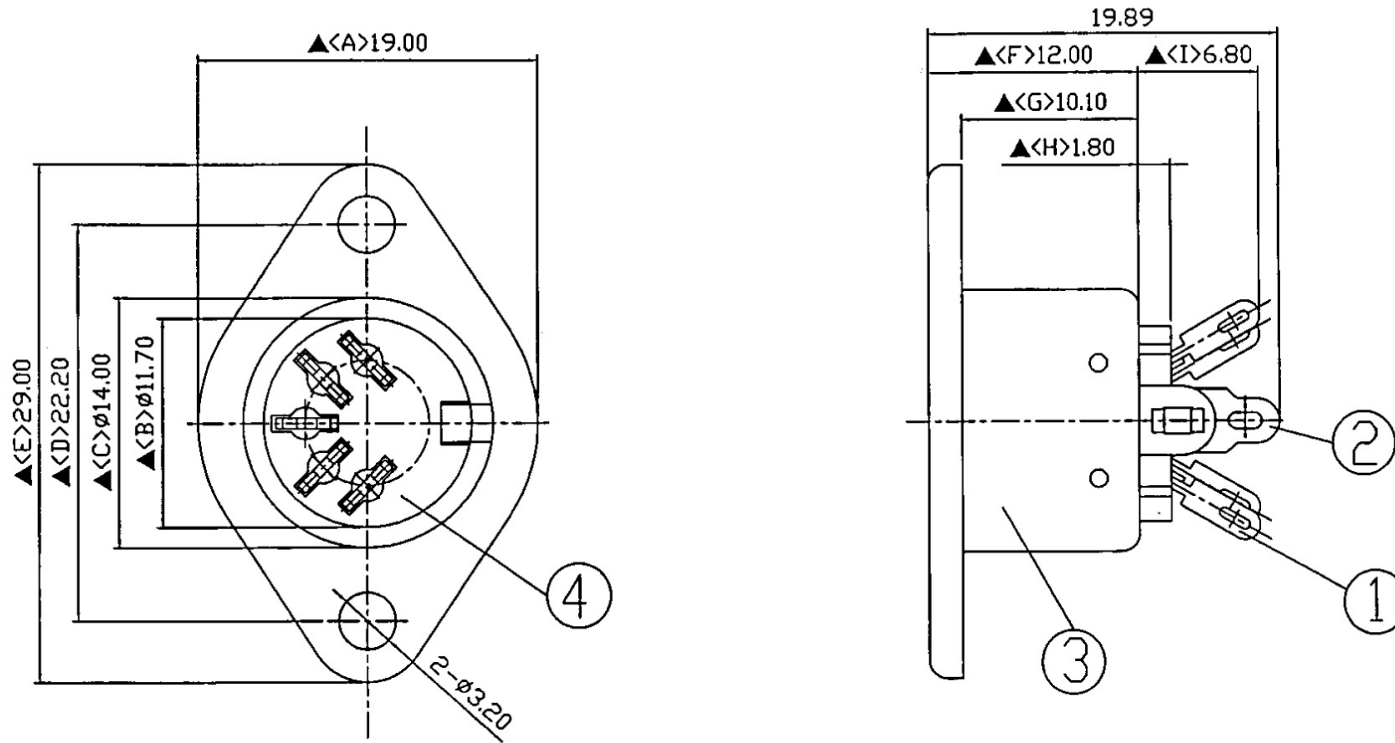


# CTP-D-xE

x= # of position



**RoHS COMPLIANT**  
EU Directive 2002/95/EC

NO.	PART NAME	Q'TY	MATERIAL	REMARK
4	HOUSING	1	PBT	BLACK
3	SHELL	1	0.4T IRON	NI PLATING
2	EARTH TERMINAL	1	0.2T PHOSPHOR BRONZE	NI PLATING
1	TERMINAL	5	0.6T BRONZE	AG PLATING

SPECIFICATIONS:  
 CONTACT RESISTANCE : 30 OHM MAX.  
 INSULATION RESISTANCE : 100 OHM MIN. AT DC 500V  
 DIELECTRIC WITHSTANDING VOLTAGE : AC 500V AT ONE MINUTE  
 TOLERANCE : +/-0.3 MM UNLESS OTHERWISE SPECIFIED



Phone 1-800-809-2751

Fax 1-510-440-0579

www.connect-tech-products.com • info@connect-tech-products.com

4428 Technology Drive • Fremont, CA 94538, USA • 510-498-8815 • Fax: 510-440-0579