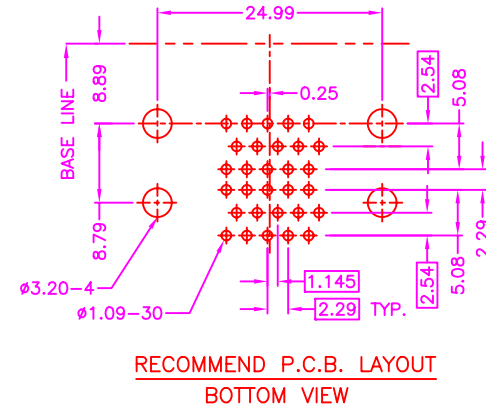
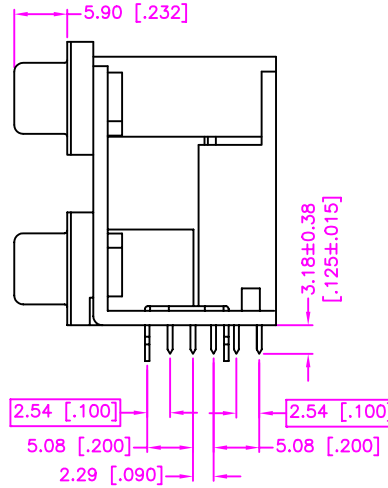
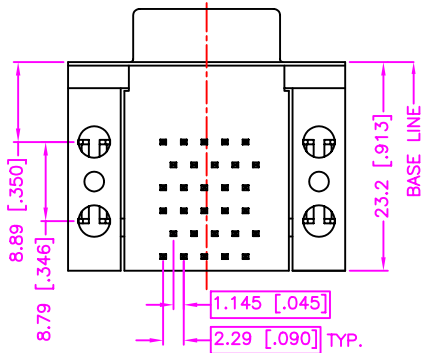
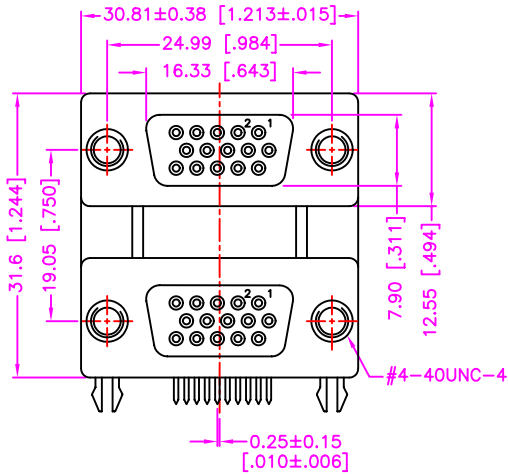


CTP-D020-HB010



MATERIALS

1. HOUSING : POLYESTER (UL 94V-0).
2. TERMINAL : COPPER ALLOY.
3. SHELL : STEEL.

SPECIFICATION

1. CURRENT RATING : 5 AMP. MAX.
2. DIELECTRIC WITHSTANDING VOLTAGE : 1000V AC R.M.S. FOR ONE MINUTE.
3. INSULATION RESISTANCE : 1000M OHMS MIN. AT 500V DC.
4. CONTACT RESISTANCE : 30m OHMS MAX.
5. OPERATING TEMPERATURE : -55°C TO +105°C.
6. DURABILITY : 500 CYCLES.



Phone 1-800-809-2751

Fax 1-510-440-0579

www.connect-tech-products.com • info@connect-tech-products.com

4428 Technology Drive • Fremont, CA 94538, USA • 510-498-8815 • Fax: 510-440-0579