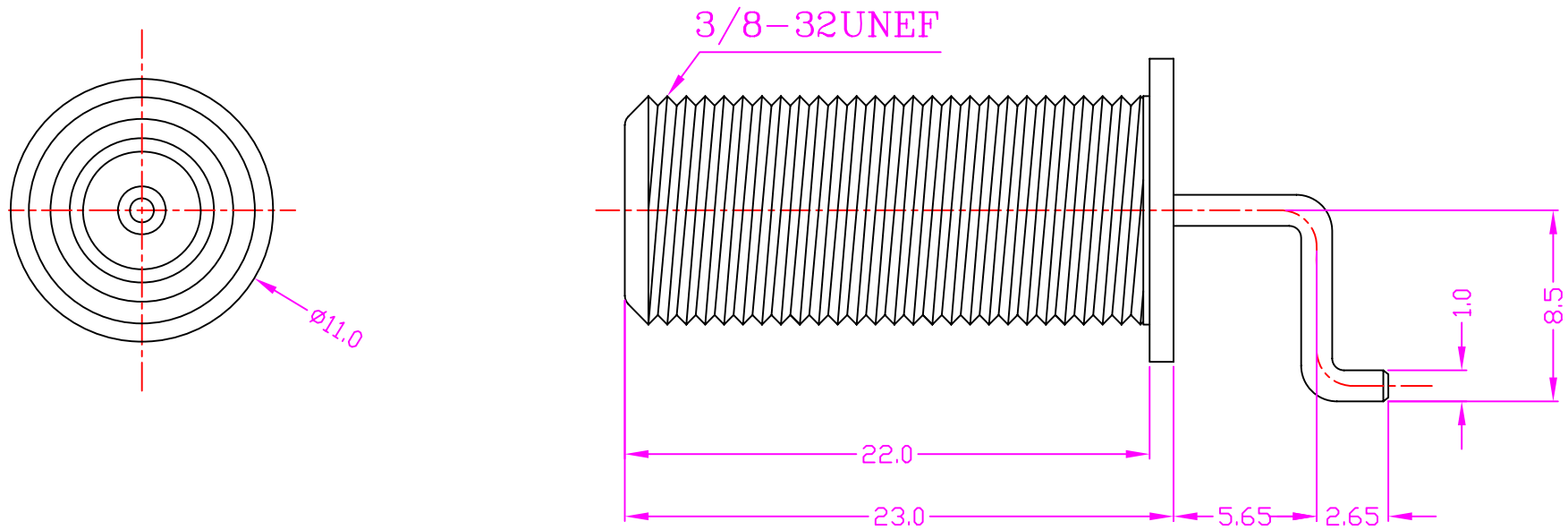


CTP-F-5012



MATERIALS

1. INSULATOR : PE
2. BODY : BRASS, NICKEL PLATED
3. CONTACT : PHOSPHOR BRONZE



Phone 1-800-809-2751

Fax 1-510-440-0579

www.connect-tech-products.com • info@connect-tech-products.com

4428 Technology Drive • Fremont, CA 94538, USA • 510-498-8815 • Fax: 510-440-0579