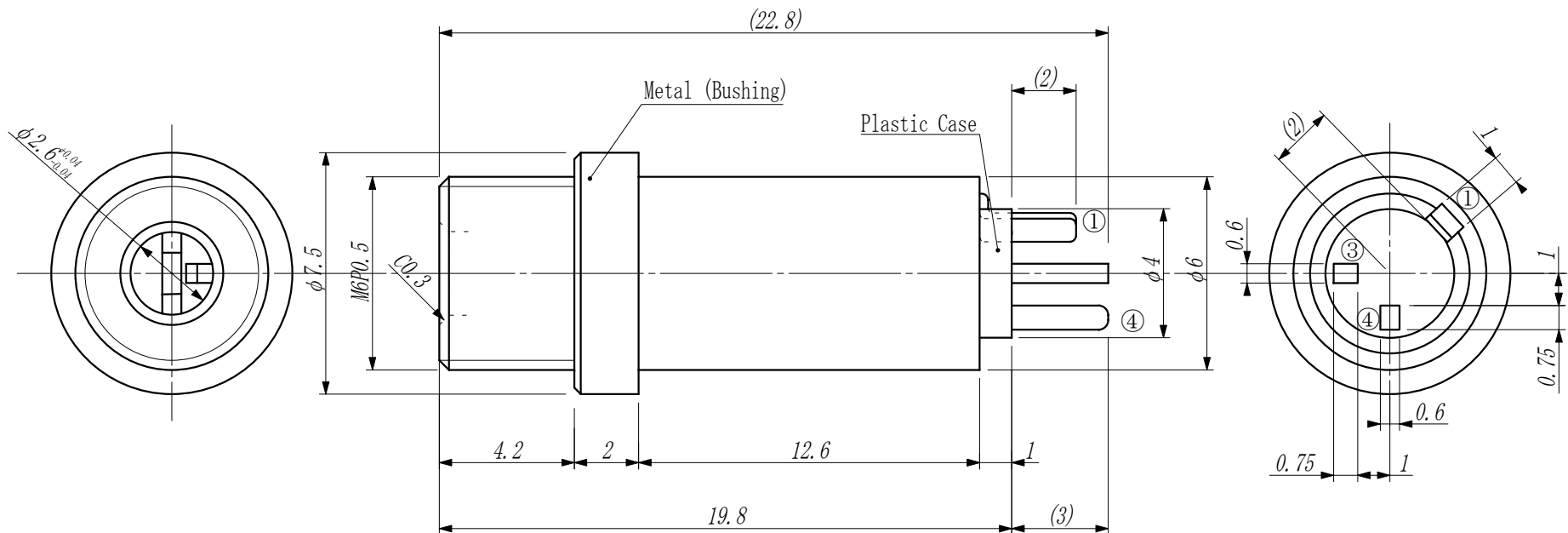


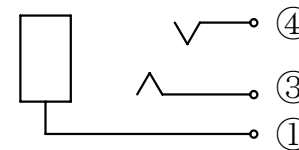
CTP-J-S82-13-3P

Mating Plug: 2.5mm 3P Plug with 13mm Length: CTP-P-253-13



SPECIFICATION

Rating: 12V 1A DC
Insulation Resistance: DC250V 100Mohm min.
Dielectric Strength: 250V AC/minute
Mating/Unmating Force: 0.4Kgf to 3.0Kgf



Phone 1-800-809-2751



Fax 1-510-440-0579

www.connect-tech-products.com • info@connect-tech-products.com

4428 Technology Drive • Fremont, CA 94538, USA • 510-498-8815 • Fax: 510-440-0579