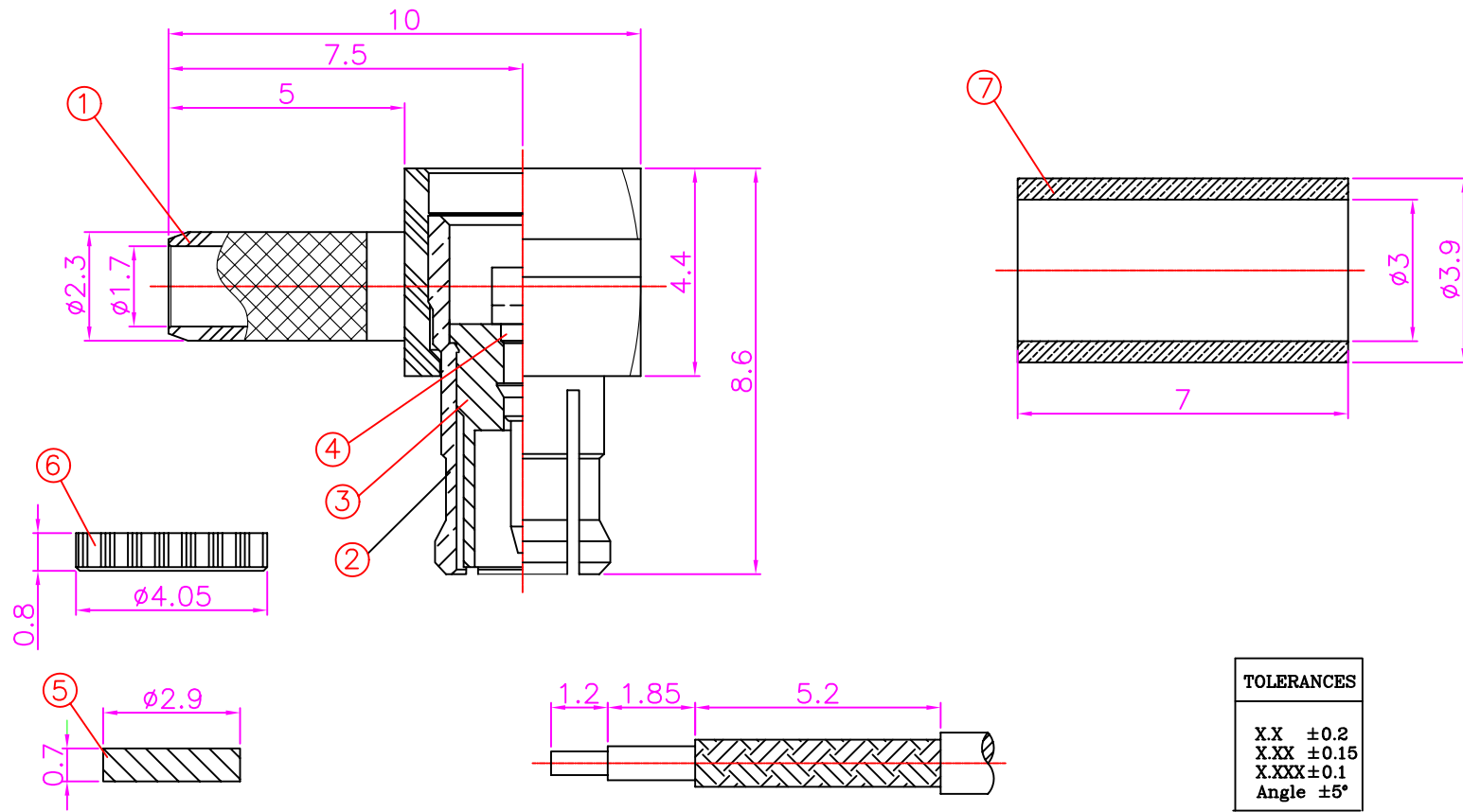


CTP-MCX-31252-017



RECOMMENDED CABLE STRIPPING DIM'S

TOLERANCES	
X.X	±0.2
X.XX	±0.15
X.XXX	±0.1
Angle	±5°

ITEM	DESCRIPTION	MATERIAL	FINISH	REV.	QTY
7	FERRULE	BRASS	Cu30u*MIN. N150u*MIN. Au3u*MIN.	A	1
6	CAP	BRASS	Cu30u*MIN. N150u*MIN. Au3u*MIN.	A	1
5	INSULATOR	PTFE	—	A	1
4	PIN	BRASS	Cu30u*MIN. N150u*MIN. Au10u*MIN.	A	1
3	INSULATOR	PTFE	—	A	1
2	BODY	BERYLLIUM COPPER	Cu30u*MIN. N150u*MIN. Au3u*MIN.	A	1
1	BODY	BRASS	Cu30u*MIN. N150u*MIN. Au3u*MIN.	A	1



Phone 1-800-809-2751

Fax 1-510-440-0579

www.connect-tech-products.com • info@connect-tech-products.com

4428 Technology Drive • Fremont, CA 94538, USA • 510-498-8815 • Fax: 510-440-0579