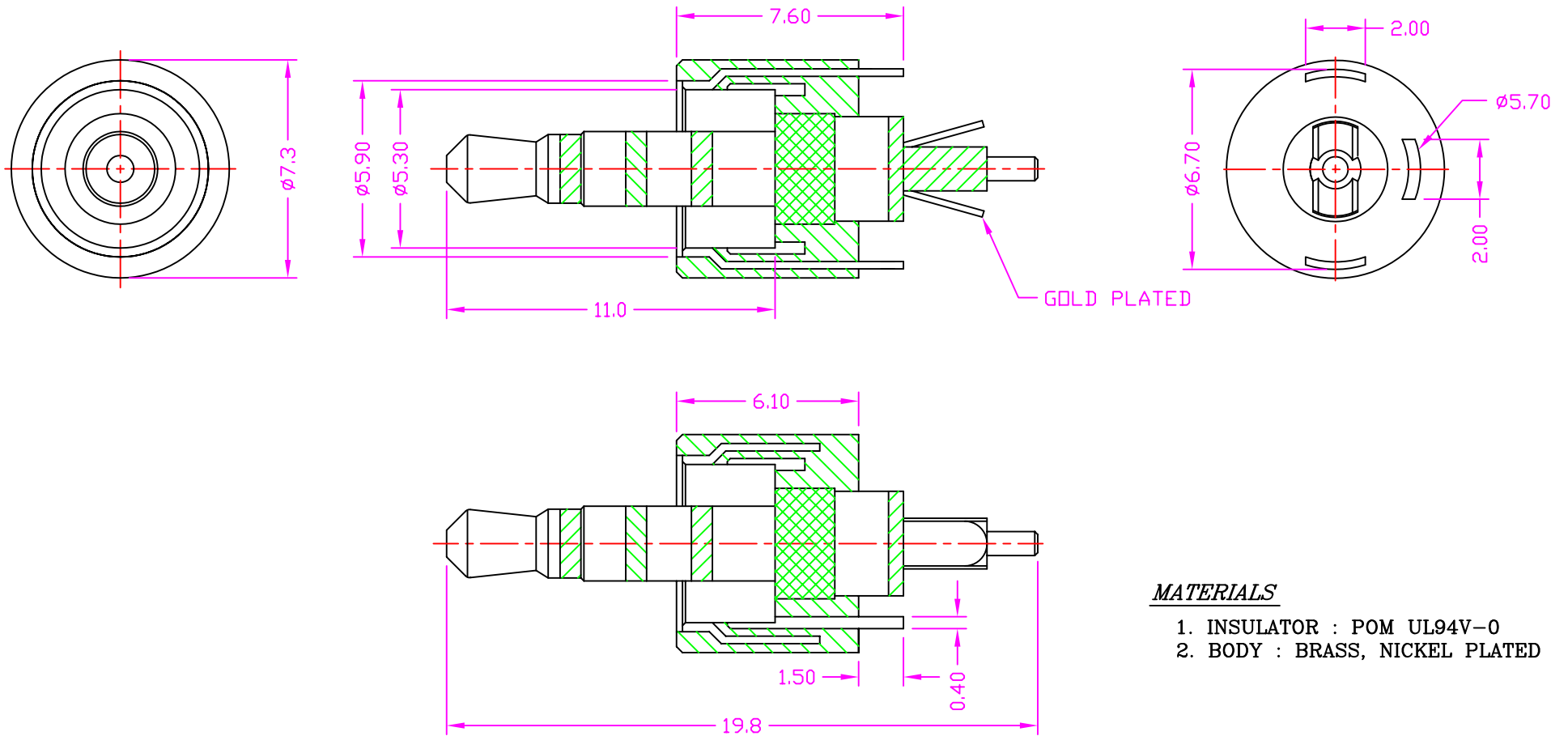


CTP-P-2506-3



MATERIALS

1. INSULATOR : POM UL94V-0
2. BODY : BRASS, NICKEL PLATED



Phone 1-800-809-2751

Fax 1-510-440-0579

www.connect-tech-products.com • info@connect-tech-products.com

4428 Technology Drive • Fremont, CA 94538, USA • 510-498-8815 • Fax: 510-440-0579