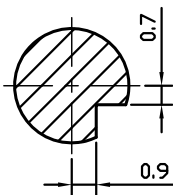
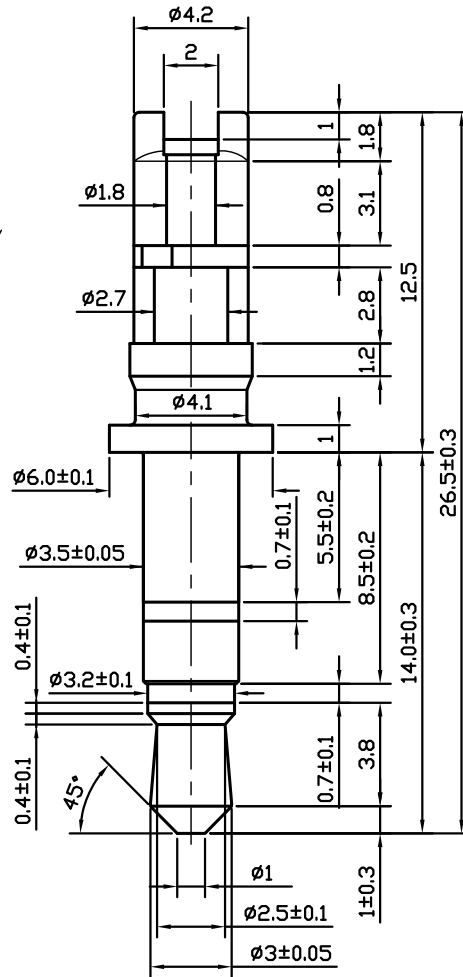
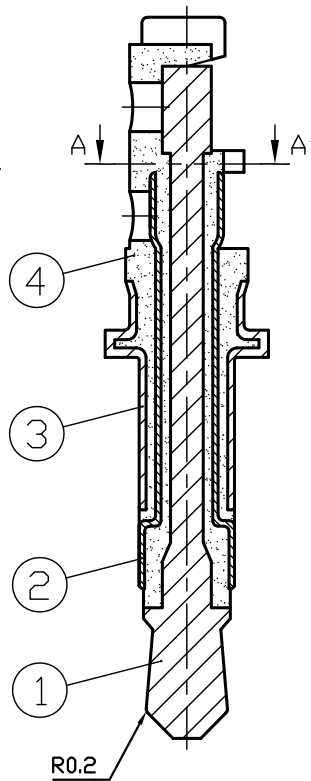
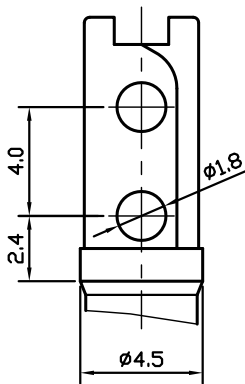
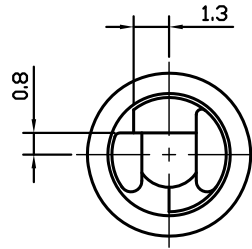


CTP-P-353-106

RoHS COMPLIANT
EU Directive 2002/95/EC

1. Dielectric strength: AC 500V/1 minute
2. Insulation resistance: 100MΩ or over (DC 500V)
3. Contact resistance: 30mΩ or less

4		DIELECTRIC	POM/PP		
3	476-003	SLEEVE	BRASS	NI / AU	1
2	173-009	MIDDLE SLEEVE	BRASS	NI / AU	1
1	413-080	PIN	BRASS	NI / AU	1
ITEM	DRAWING NUMBER	PART NAME	MATERIAL	PLATED	Q'TY
UNIT	MM	SCALE: 4/1	3.5MM STEREO PLUG, 26.5L		



A-A' 剖面

DIMENSIONS RANGE	TOLERANCE UNLESS SPECIFIED
0.5 < X < 1	±0.1
1 < X < 6	±0.15
6 < X < 18	±0.2
18 < X < 50	±0.3



Phone 1-800-809-2751

Fax 1-510-440-0579

www.connect-tech-products.com • info@connect-tech-products.com

4428 Technology Drive • Fremont, CA 94538, USA • 510-498-8815 • Fax: 510-440-0579