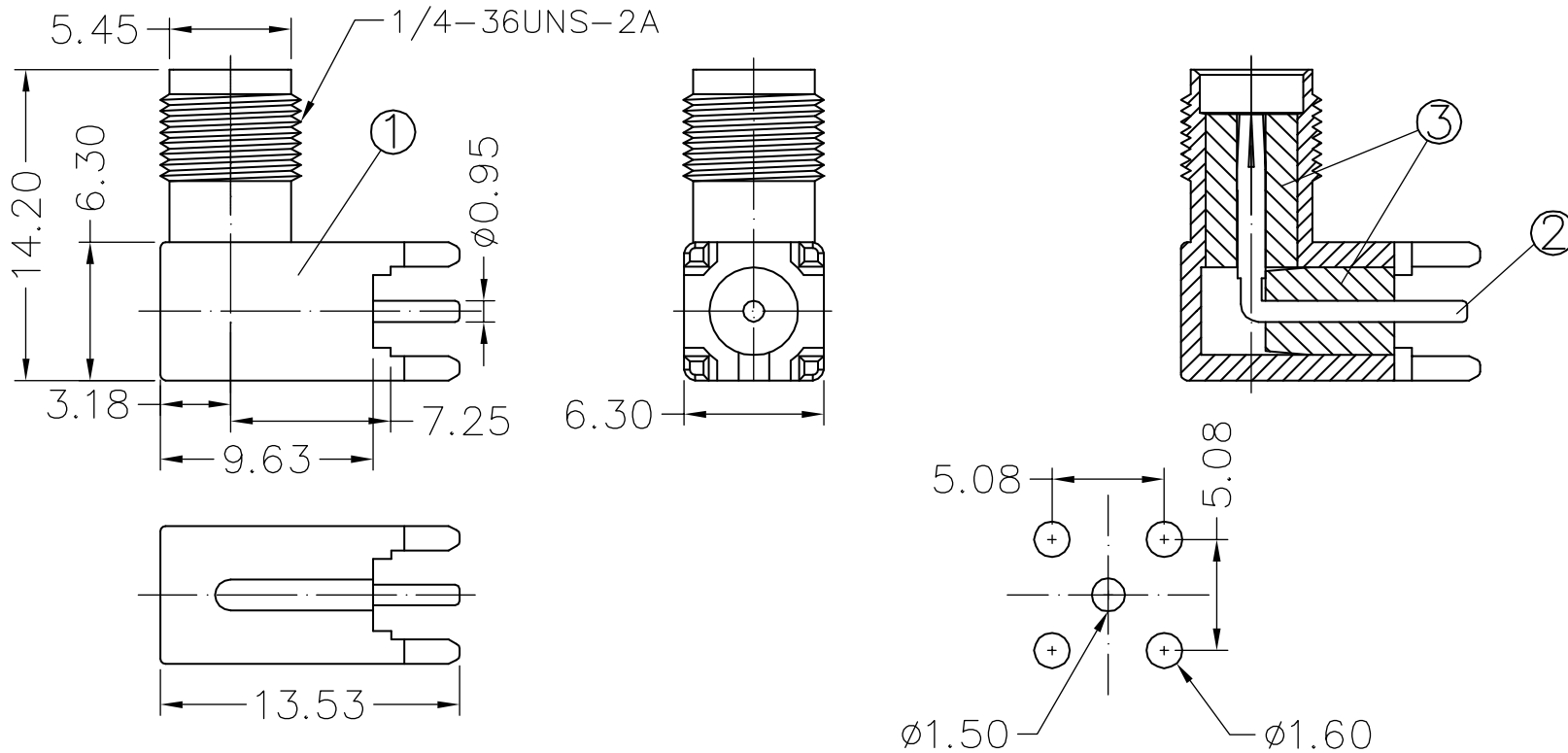


# CTP-SMA-304-DC



## MATERIAL AND FINISH

- ① BODY : ZINC ALLOY/GOLD PLATED
- ② CONTACT : BERYLLIUM COPPER/30u" GOLD PLATED
- ③ INSULATOR : TEFLON



Phone 1-800-809-2751

Fax 1-510-440-0579

[www.connect-tech-products.com](http://www.connect-tech-products.com) • [info@connect-tech-products.com](mailto:info@connect-tech-products.com)

4428 Technology Drive • Fremont, CA 94538, USA • 510-498-8815 • Fax: 510-440-0579