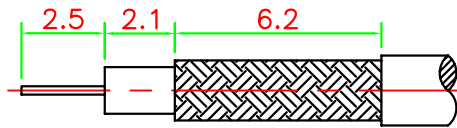
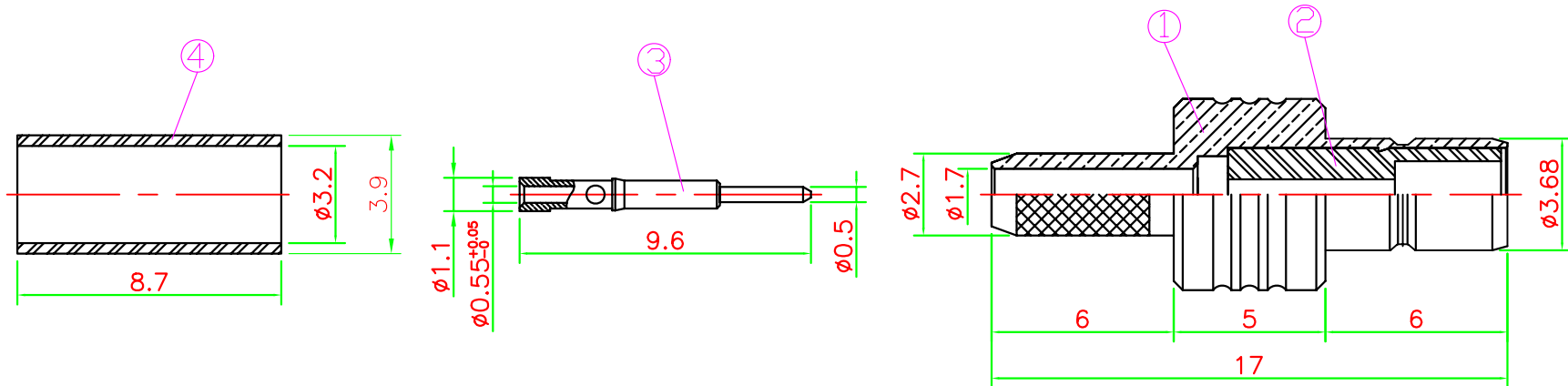


CTP-SMB-515-50



RECOMMENDED
CABLE STRIPPING DIM'S

TOLERANCES	
X.X	± 0.3
X.XX	± 0.2
X.XXX	± 0.1
Angle	± 5°

4	310-0510-0004A	FERRULE	C2700T	Cu30u*MIN. Ni50u*MIN. Au3u*MIN.	A	1
3	302-0110-0029A	PIN	C3604B	Cu30u*MIN. Ni50u*MIN. Au10u*MIN.	A	1
2	303-0600-0040A	INSULATOR	PTE		A	1
1	301-0110-0079A	BODY	C3604B	Cu30u* MIN. Ni50u* MIN. Au3u* MIN.	A	1
ITEM	PART NO.	DESCRIPTION	MATERIAL	FINISH	REV	QTY



Phone 1-800-809-2751

Fax 1-510-440-0579

www.connect-tech-products.com • info@connect-tech-products.com

4428 Technology Drive • Fremont, CA 94538, USA • 510-498-8815 • Fax: 510-440-0579