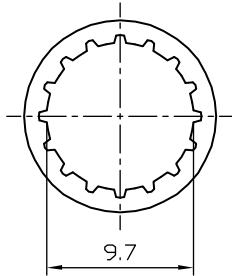
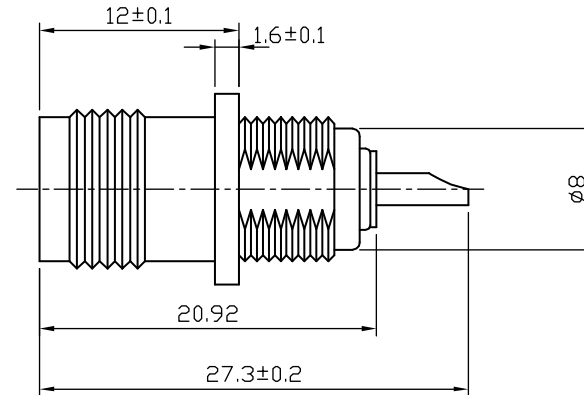
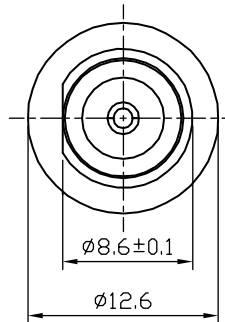
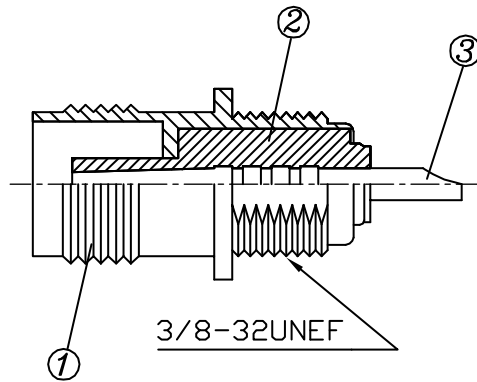
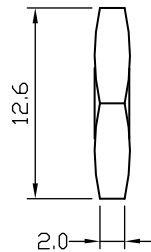


CTP-TH-010-P1A

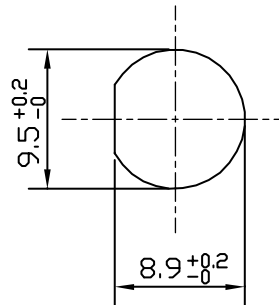
CTP-7TH-010-P1A



LOCK WASHER



HEX. NUT



MATERIAL & FINISH

- ① BODY---DIECAST (ZINC#3) NICKEL PLATING
PER QQ-N-290 OVER COPPER UNDERCOAT
PER MIL-C-14550
- ② INSULATORS----DELTRIN
- ③ CENTER CONTACT-BRASS(LATHE)GOLD PLATING
WASHER-----STEEL,NICKEL PLATING
NUT-----IRON, NICKEL PLATING



Phone 1-800-809-2751

Fax 1-510-440-0579

www.connect-tech-products.com • info@connect-tech-products.com

4428 Technology Drive • Fremont, CA 94538, USA • 510-498-8815 • Fax: 510-440-0579