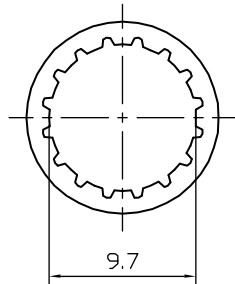
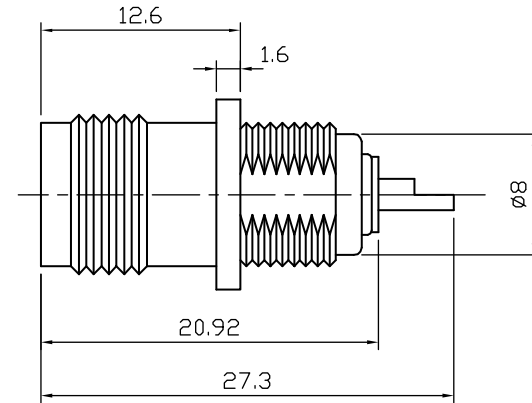
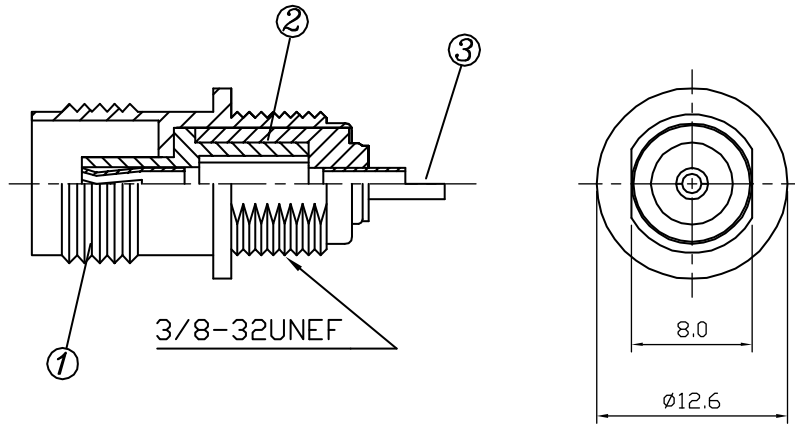
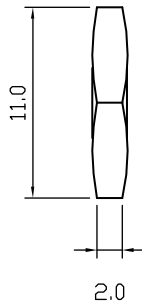


CTP-TH-010-P2B

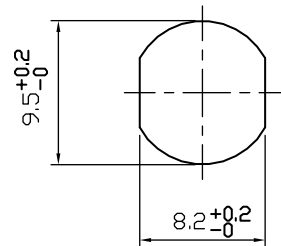
CTP-7TH-010-P2B



LOCK WASHER



HEX. NUT



RECOMMEND  
HOLE CUT OUT

**MATERIAL & FINISH**

- ① BODY---DIECAST (ZINC#3) NICKEL PLATING  
PER QQ-N-290 OVER COPPER UNDERCOAT  
PER MIL-C-14550
- ② INSULATORS----DELTRIN
- ③ CENTER CONTACT- PHOSPHOR BRONZE, GOLD PLATING  
WASHER-----STEEL, NICKEL PLATING  
NUT-----IRON, NICKEL PLATING

Phone 1-800-809-2751



Fax 1-510-440-0579

[www.connect-tech-products.com](http://www.connect-tech-products.com) • [info@connect-tech-products.com](mailto:info@connect-tech-products.com)

4428 Technology Drive • Fremont, CA 94538, USA • 510-498-8815 • Fax: 510-440-0579