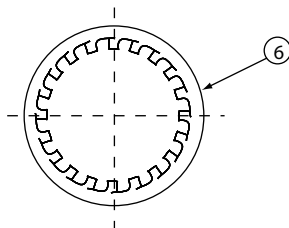
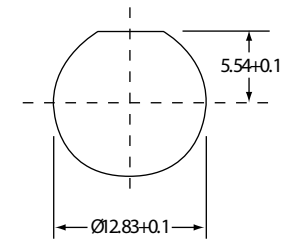
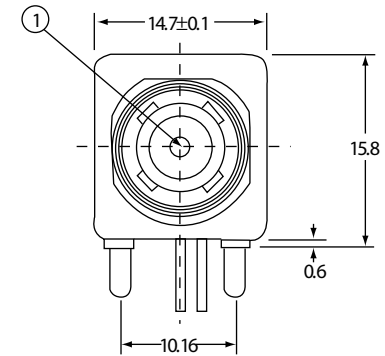
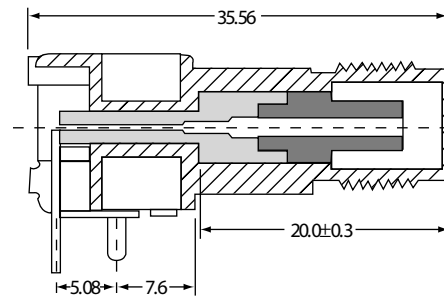
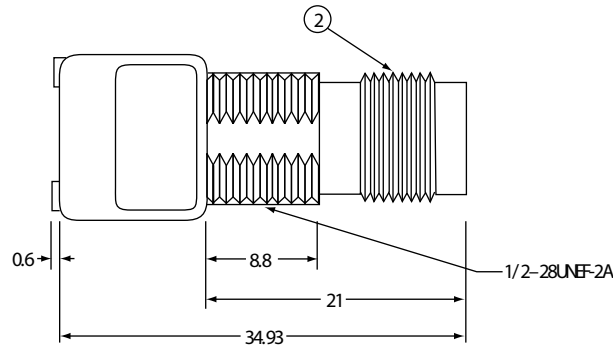
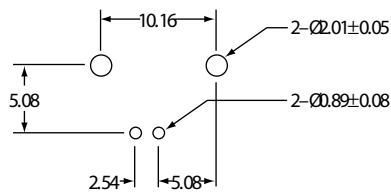
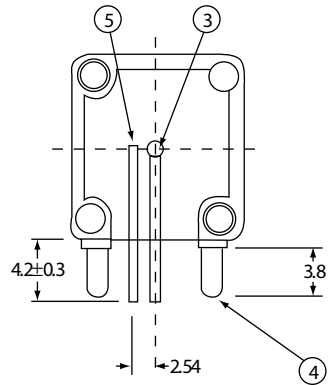
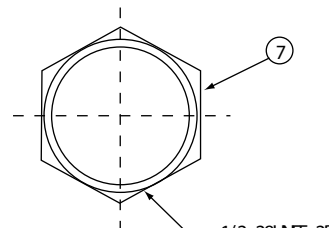


# CTP-TR-1001-H-Z

# CTP-7TR-1001-H-Z



LOCK WASHER



1/2-28UNF-2B  
CLAMP NUT

1. IMPEDANCE: 50 OR 75 OHM
2. VOLTAGE RATING: 500V RMS
3. FREQUENCY RANGE: 0~4 GHZ
4. INTERFACE PER MIL-C: 39012C



Phone 1-800-809-2751

Fax 1-510-440-0579

[www.connect-tech-products.com](http://www.connect-tech-products.com) • [info@connect-tech-products.com](mailto:info@connect-tech-products.com)

4428 Technology Drive • Fremont, CA 94538, USA • 510-498-8815 • Fax: 510-440-0579