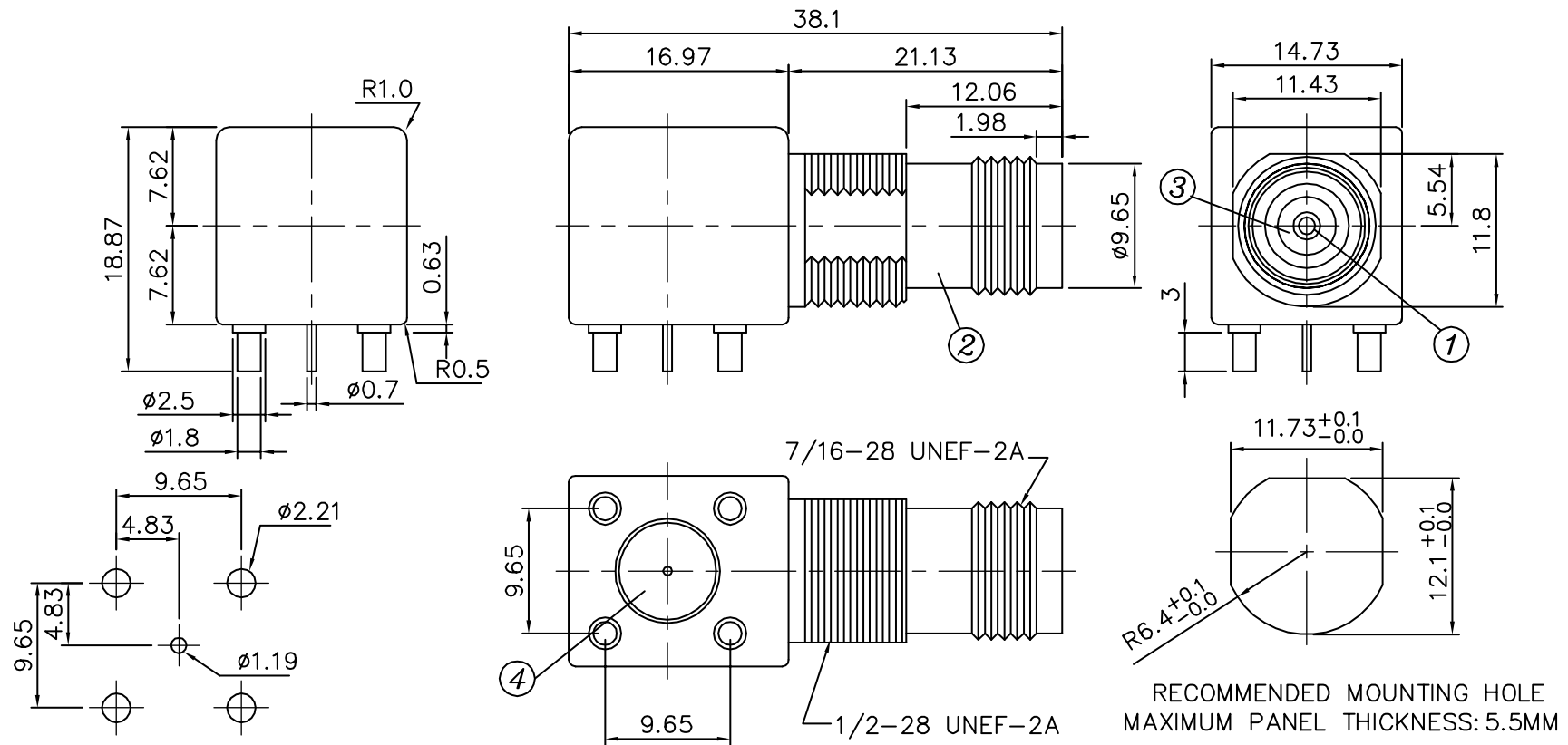


CTP-TR-42031 CTP-7TR-42031



RECOMMENDED PCB HOLE PATTERN

MATERIAL & FINISH

- | | | | |
|------------------|---------------------------------|-------------|----------|
| ① CENTER CONTACT | : PHOSPHOR BRONZE / GOLD PLATED | ③ INSULATOR | : PE |
| ② BODY | : ZINC ALLOY, NICKEL PLATING | ④ INSULATOR | : TEFLON |



Phone 1-800-809-2751

Fax 1-510-440-0579

www.connect-tech-products.com • info@connect-tech-products.com

4428 Technology Drive • Fremont, CA 94538, USA • 510-498-8815 • Fax: 510-440-0579