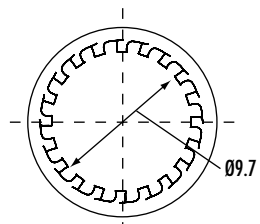
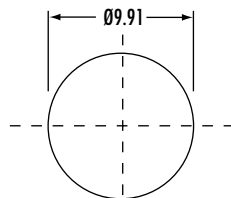


# CTP-UMR-101-Z

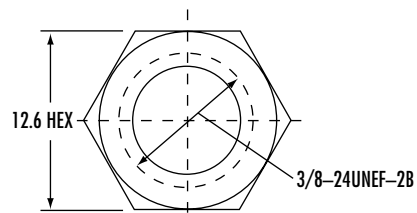
## RIGHT ANGLE MINI UHF



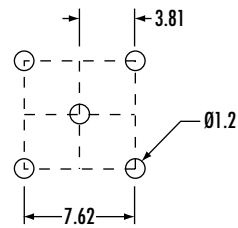
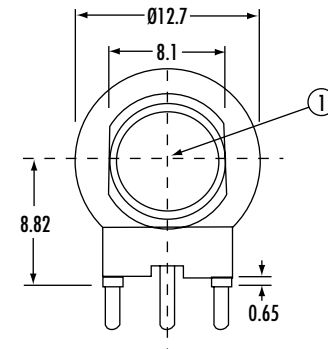
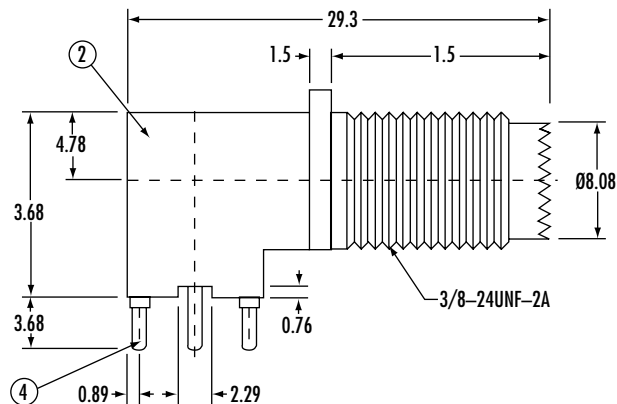
LOCK WASHER



PANEL CUTOUT



NUT



P.C.B. LAYOUT

### MATERIAL & FINISH

- |                   |                                    |
|-------------------|------------------------------------|
| 1. CENTER CONTACT | PHOSPHOR BRONZE / TIN LEAD PLATING |
| 2. BODY           | DIECAST (ZINC #3) NICKEL PLATING   |
| 3. INSULATOR      | PE 606                             |
| 4. MOUNTING POST  | ZINC ALLOY / TIN LEAD PLATING      |
| 5. WASHER         | STEEL, NICKEL PLATING              |
| 6. NUT            | BRASS, NICKEL PLATING              |



Phone 1-800-809-2751

Fax 1-510-440-0579

[www.connect-tech-products.com](http://www.connect-tech-products.com) • [info@connect-tech-products.com](mailto:info@connect-tech-products.com)

4428 Technology Drive • Fremont, CA 94538, USA • 510-498-8815 • Fax: 510-440-0579