

Material :

- (1). Insulator : PBT+30% .G.F. UL 94-V0
 - (2). Contact : Brass.
 - (3). Shell : Brass.
 - (4). Finish :
- Contact = Gold plated on contact area &
 Tin/Lead plated on terminal area
 Shell = Tin/Lead plated.

PART NUMBER

CTP - 22AC - 0 4 * T - 1 * - 0 1 3

SERIES

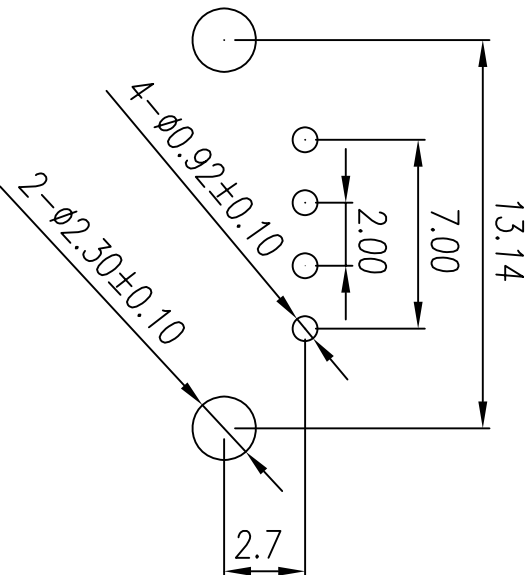
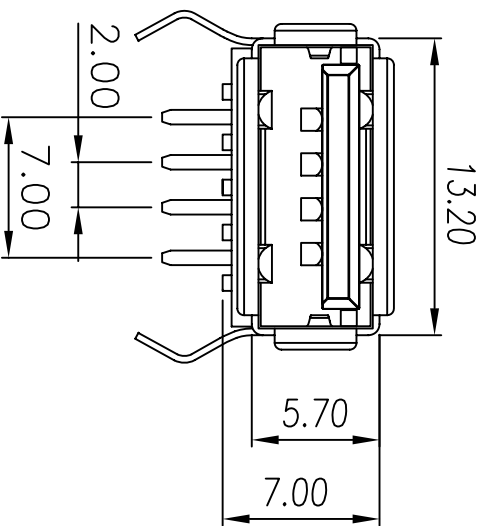
NO. OF POS.

Colar: 0=Black 2=White
 FEMALE

TIN PLATED ON SOLDER TAIL

(CONTACT PLATED OPTION)

- 1: GOLD FLASH
- 6: 30u" GOLD



RECOMMENDED P.C.B. PATTERN LAYOUT

Connect-Tech Products Corp.
 TEL:+1 510 4400578 www.Connect-Tech-Products.com

TOLERANCES

XX ±0.3
 X.XX ±0.2
 X.XXX±0.1
 Angle ±5°

USB SERIES
 PCB MOUNT, RIGHT ANGLE, A TYPE
 METAL SHIELD, FEMALE

DRAWN BY: *Bobos* CHECKED BY: *J. Q. W.* APPROVED BY: *Sting*

REV.	DATE	DESCRIPTION	UNIT	SCALE	SIZE	DRAW NO.	REV.
A	0321,2004	RELEASE	MM	NONE	A4	D022-AC013	A