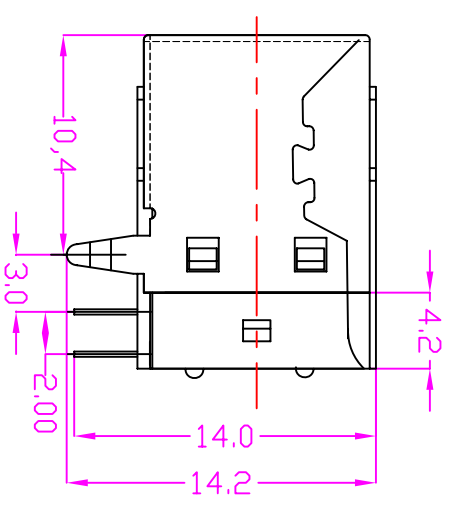
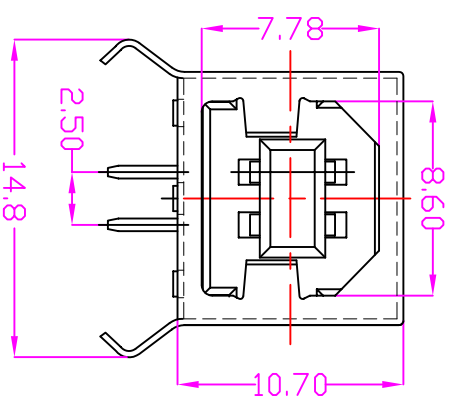


RECOMMEND PCB LAYOUT ± 0.05

1. MATERIAL:
- a. HOUSING: PBT GLASS FIBRE UL94 V-0
 - b. CONTACT: BRASS T=0.25mm
 - (SURFACE PLATING: Au1u"+5r80-100u"+Ni60u")
 - c. SHEEL: IRON T=0.30mm IRON T=0.30mm
 - (SURFACE PLATING: Cu80-100 u" Ni100u"-120u")

2. ELECTRIC:
- a. CONTACT RESISTANCE: 30 MILLIOHMS MAX
 - b. INSULATION RESISTANCE: 1000 MEGA OHMS MIN
 - c. DIELECTRIC VOLTAGE: 500V AC ONE SEC LEVEL
 - d. OPERATING TEMPERATURE: -55° ~ 85°



PART NUMBER
CTP-22BC - 0 4 * T - 1 X - 0 1 3

SERIES }
 NUMBER OF POS. }
 (CONTACT PLATED OPTION) }
 1: GOLD FLASH }
 6: 30u" GOLD }

TIN PLATED ON SOLDER TAIL }
 FEMALE }
 W: INSULATOR, WHITE }
 B: INSULATOR, BLACK }

Connect-Tech Products Corp.
 TEL: +1 510 4400578 www.Connect-Tech-Products.com

TOLERANCES	USB SERIES
XX ±0.3	PCB MOUNT, RIGHT ANGLE, B TYPE
X.XX ±0.2	METAL SHIELD, FEMALE
X.XXX ±0.1	
Angle ±5°	

REV.	DATE	DESCRIPTION	UNIT	SCALE	SIZE	DRAW NO.	REV.
A	0708.2002	RELEASE	MM	NONE	A4	D022-BC013	B
			DRAWN BY	CHECKED BY	APPROVED BY		
			<i>Stingo</i>	<i>Stingo</i>	<i>Stingo</i>		