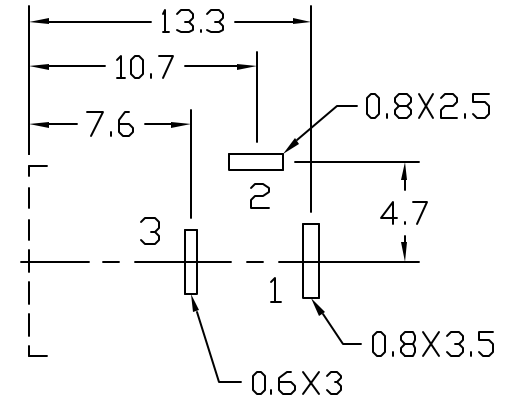
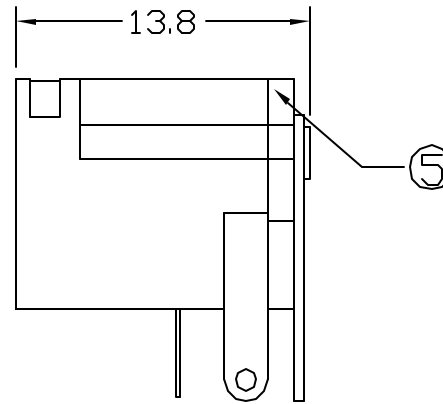
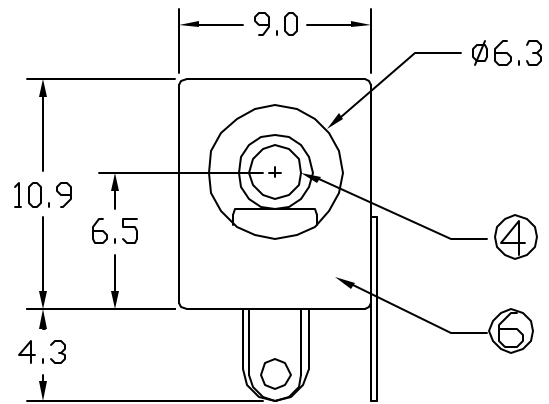


# DCP-208-20      DCP-208-25



P.C.B. LAYOUT  
(BOTTOM VIEW)

PIN	Ø2.0mm	Ø2.5mm
SCHEMATIC		1
		2
		3



Phone 1-800-809-2751

Fax 1-510-440-0579

[www.connect-tech-products.com](http://www.connect-tech-products.com) • [info@connect-tech-products.com](mailto:info@connect-tech-products.com)

4428 Technology Drive • Fremont, CA 94538, USA • 510-498-8815 • Fax: 510-440-0579