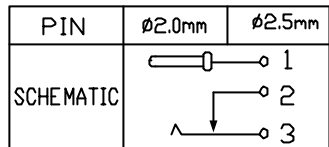
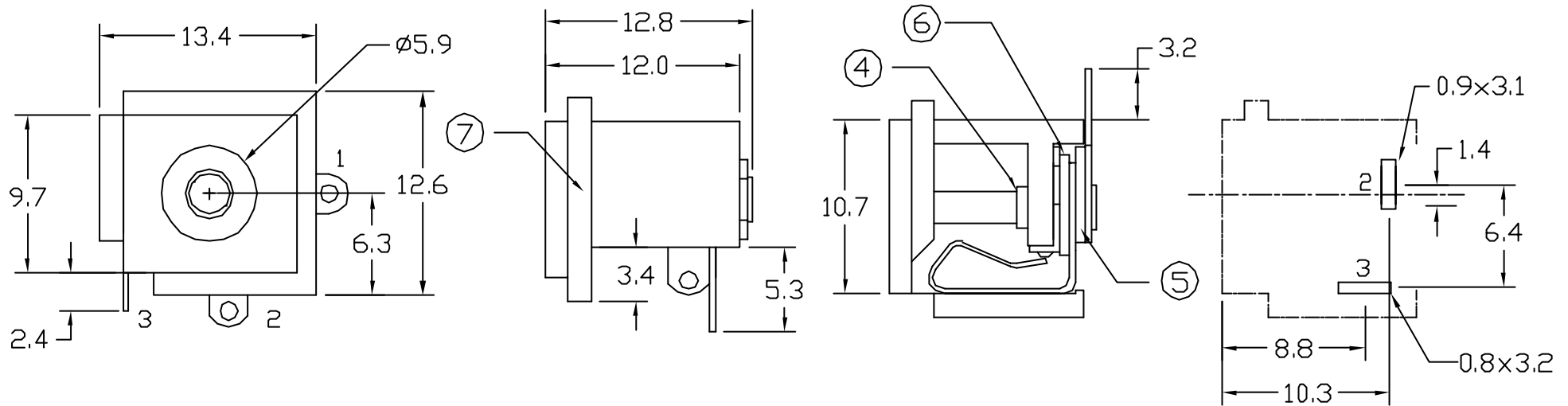


DCP-211-20 DCP-211-25



ITEM	NAME	MATERIAL	FINISH	SUM
7	Housing	PBT (Rated UL 94V-0)		1
6	Thin Cover	Phenolic Resin		1
5	Thick Cover	Phenolic Resin		1
4	Center Pin	Brass	Nickel Plated	1
3	Terminal No 3	Phosphor Bronze	Tin Plated	1
2	Terminal No 2	Brass	Tin Plated	1
1	Terminal No 1	Brass	Tin Plated	1
				SUM

P.C.B. LAYOUT
(BOTTOM VIEW)

Phone 1-800-809-2751



Fax 1-510-440-0579

www.connect-tech-products.com • info@connect-tech-products.com

4428 Technology Drive • Fremont, CA 94538, USA • 510-498-8815 • Fax: 510-440-0579