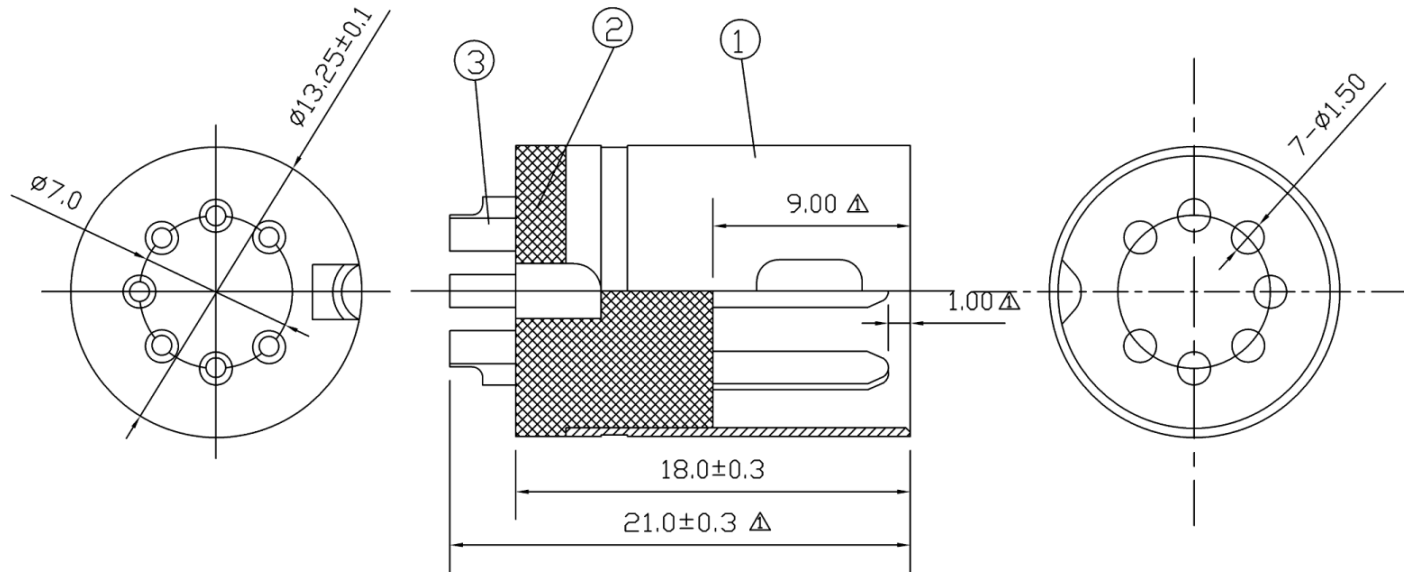


# DIN-7P



**RoHS COMPLIANT**  
EU Directive 2002/95/EC

9	Shield	Brass	Nickel Plated	1
8	Insulator	PBT+30%GF,UL 94 V-0	Black	1
1-7	Pin	Brass	Nickel Plated	9
ITEM	NAME	MATERIAL	FINISH	SUM



Phone 1-800-809-2751

Fax 1-510-440-0579

[www.connect-tech-products.com](http://www.connect-tech-products.com) • [info@connect-tech-products.com](mailto:info@connect-tech-products.com)

4428 Technology Drive • Fremont, CA 94538, USA • 510-498-8815 • Fax: 510-440-0579