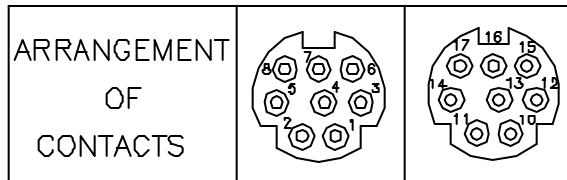
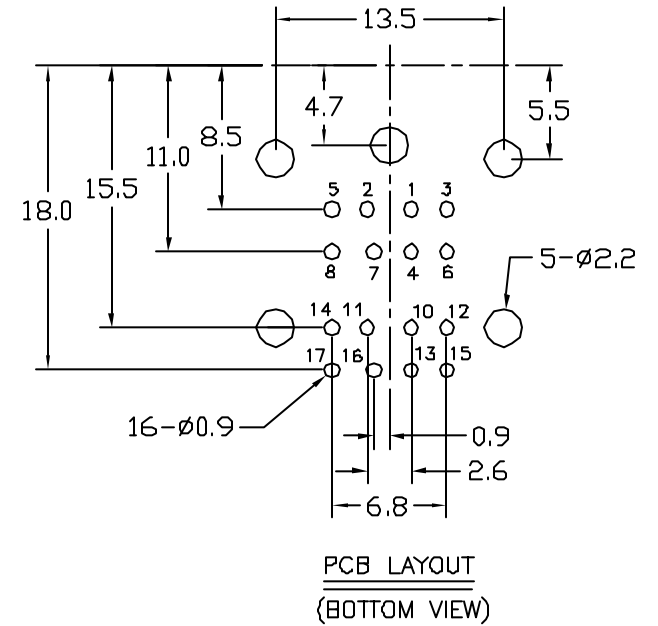
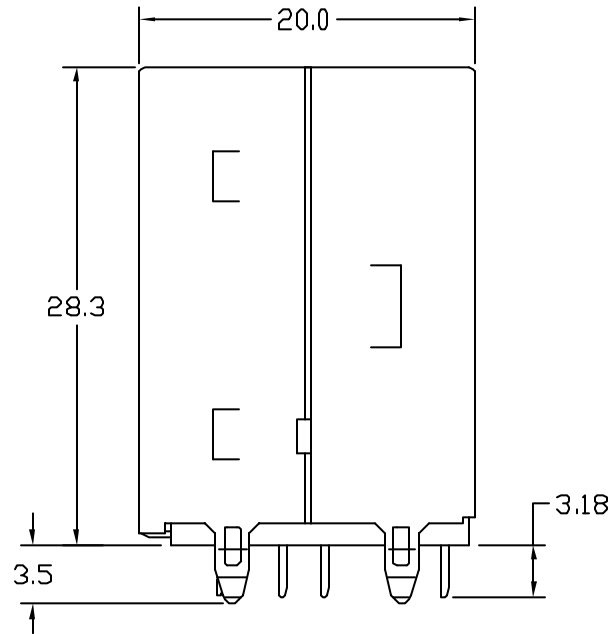
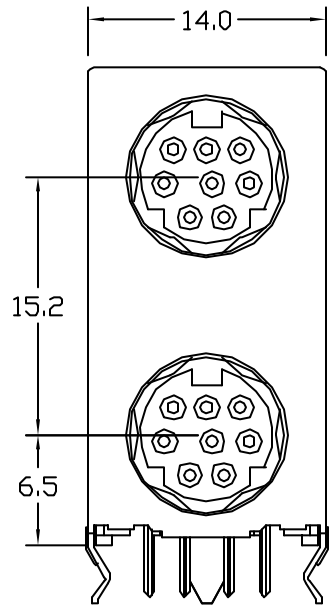


DMD8-C5-2



6	Long Cover	PBT(Rated UL-94V-0)	Black	1
5	Short Cover	PBT(Rated UL-94V-0)	Black	1
4	Housing	PBT(Rated UL-94V-0)	Black	1
3	Shield	Brass	Tin plated	1
2	Long Terminals	Phosphor Bronze	Tin plated & Gold Flash	8
1	Short Terminals	Phosphor Bronze	Tin plated & Gold Flash	8
ITEM	NAME	MATERIAL	FINISH	SUM



Phone 1-800-809-2751

Fax 1-510-440-0579

www.connect-tech-products.com • info@connect-tech-products.com

4428 Technology Drive • Fremont, CA 94538, USA • 510-498-8815 • Fax: 510-440-0579