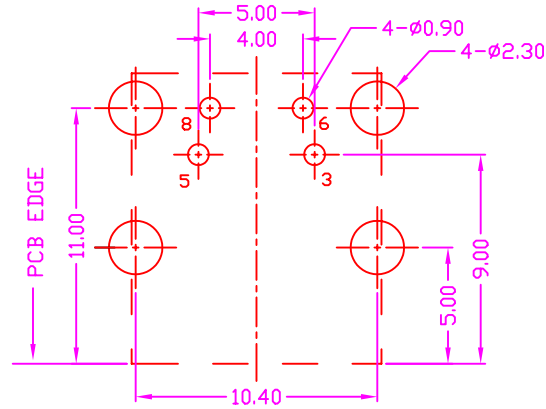
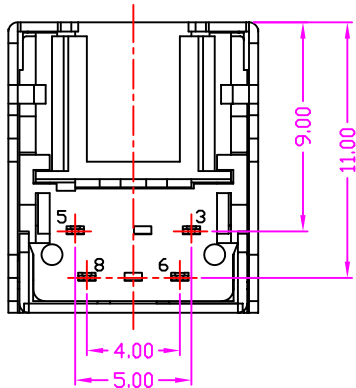
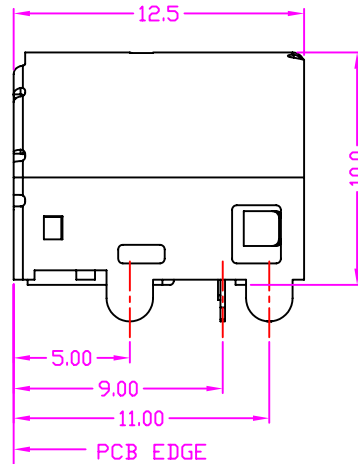
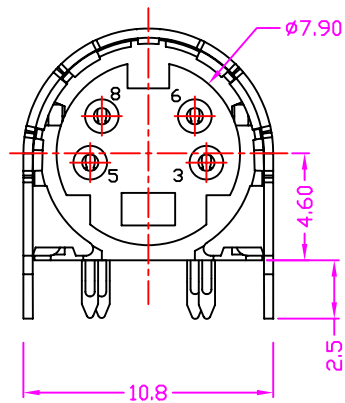


MD4-SR-3



RECOMMEND P.C.B. LAYOUT
TOP VIEW

MATERIALS

1. INSULATOR : PBT UL94V-0
2. METAL SHIELD : SPCC
3. CONTACT : COPPER ALLOY

OTHER INFORMATION

1. CONTACT RESISTANCE : 30m OHMS MAX.
2. DIELECTRIC WITHSTANDING VOLTAGE :
500V AC RMS FOR 1 MINUTE
3. INSULATION RESISTANCE :
100M OHMS MIN. AT 500V DC
4. CURRENT RATING : 1 AMP. MAX.
5. OPERATING TEMPERATURE : $-25^{\circ}\text{C} \sim +85^{\circ}\text{C}$

Phone 1-800-809-2751



Fax 1-510-440-0579

www.connect-tech-products.com • info@connect-tech-products.com

4428 Technology Drive • Fremont, CA 94538, USA • 510-498-8815 • Fax: 510-440-0579