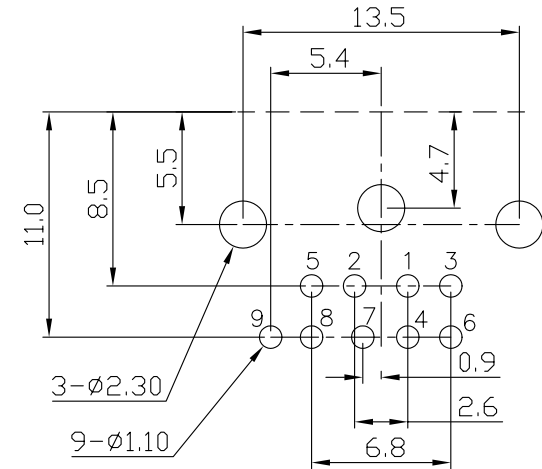
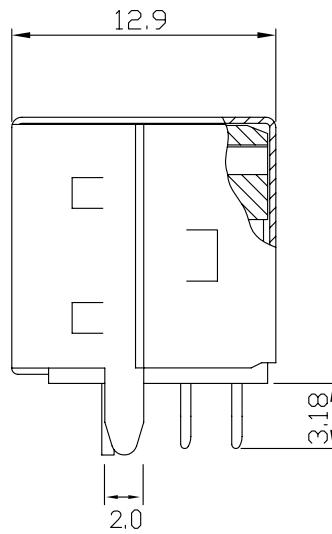
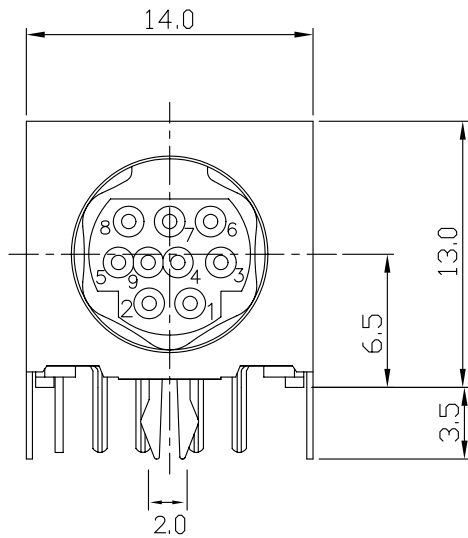


# MD9-C5



P.C.B LAYOUT  
(BOTTOM VIEW)

13	Housing	PBT	Black	1
12	Cover	PBT	Black	1
11	Stopper	PBT	Black	1
10	Shield	Brass	Matte Tin Plated & Nickel Plated	1
9	Terminals	Brass	Gold Flash & Matte Tin Plated	1
1-8	Terminals	Copper Alloy	Gold Flash & Matte Tin Plated	8
TEM	NAME	MATERIAL	FINISH	SUM

**RoHS COMPLIANT**  
EU Directive 2002/95/EC



Phone 1-800-809-2751

Fax 1-510-440-0579

www.connect-tech-products.com • info@connect-tech-products.com

4428 Technology Drive • Fremont, CA 94538, USA • 510-498-8815 • Fax: 510-440-0579