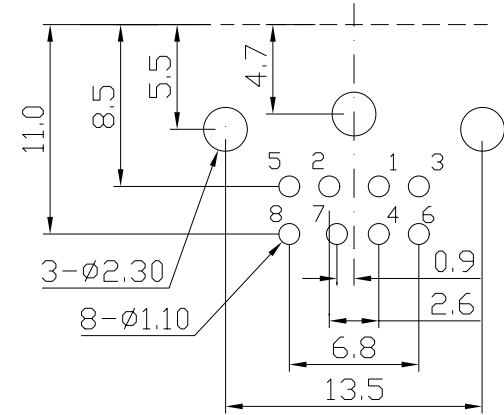
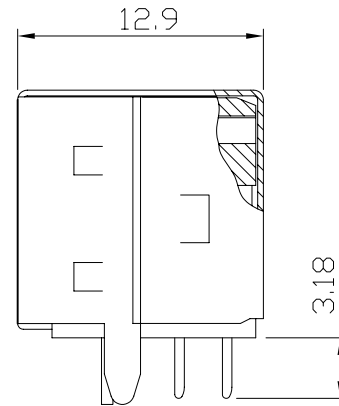
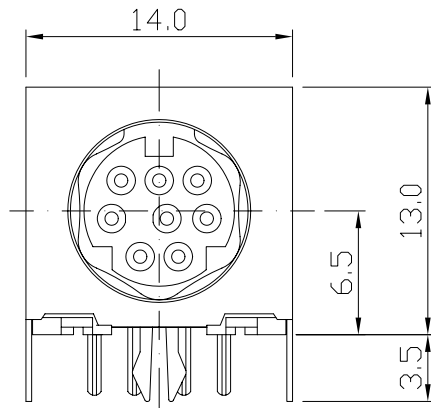


MDx-C5

x = 3, 4, 5, 6, 7, 8



PCB LAYOUT
(BOTTOM VIEW)

| ARRANGEMENT OF CONTACTS | MODEL NO |
|-------------------------|----------|
| | MD3-C5 |
| | MD4-C5 |
| | MD5-C5 |
| | MD6-C5 |
| | MD7-C5 |
| | MD8-C5 |

RoHS COMPLIANT
EU Directive 2002/95/EC

| | | | | |
|------|-----------|-----------------|----------------------------------|-----|
| 12 | Stopper | PA66 | Black | 1 |
| 11 | Housing | PA66 | Black | 1 |
| 10 | Cover | PA46 | Black | 1 |
| 9 | Shield | Brass | Matte Tin Plated & Nickel Plated | 1 |
| 1-8 | Terminals | Phosphor Bronze | Matte Tin Plated & Gold Flash | 3-8 |
| ITEM | NAME | MATERIAL | FINISH | SUM |

TOLERANCES
X. ± 0.5
X.X ± 0.3
X.XX ± 0.15
ANGLE: ±3°



Phone 1-800-809-2751

Fax 1-510-440-0579

www.connect-tech-products.com • info@connect-tech-products.com

4428 Technology Drive • Fremont, CA 94538, USA • 510-498-8815 • Fax: 510-440-0579