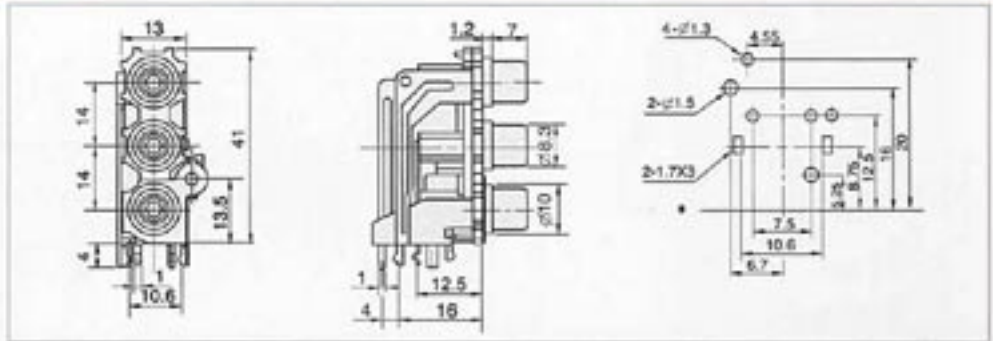


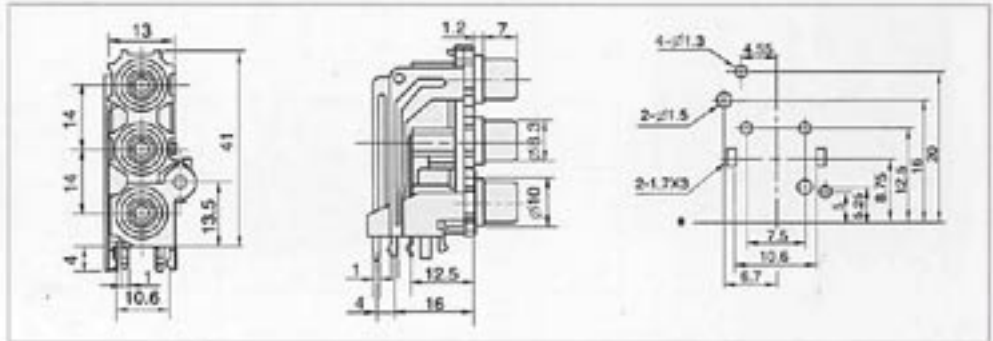
# Phono(RCA) Jacks



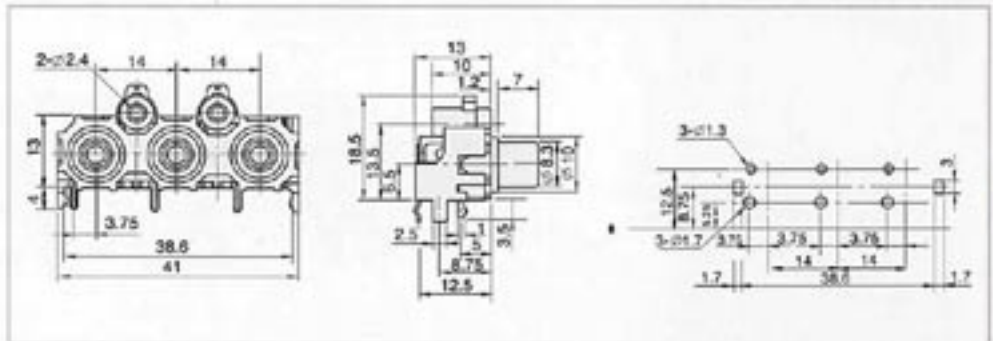
CTP3-313D1



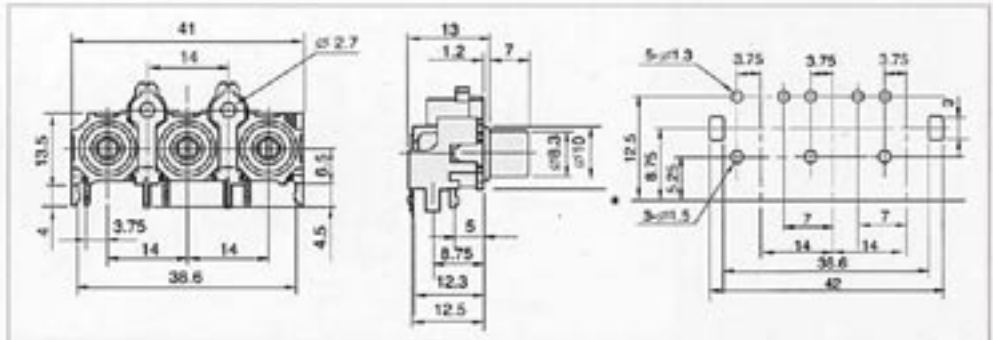
CTP3-313D2



CTP3-314



CTP3-314D



CTP3-314D2

