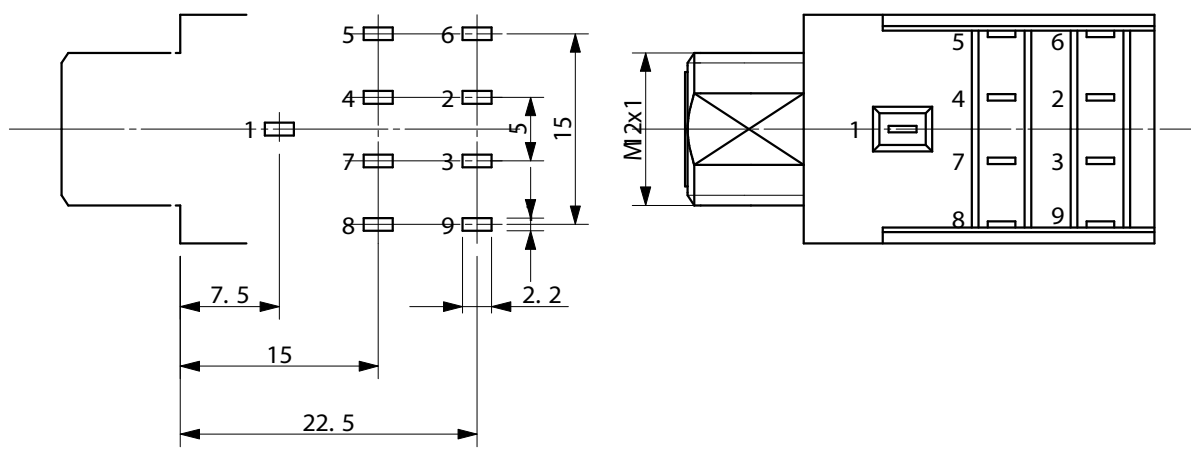
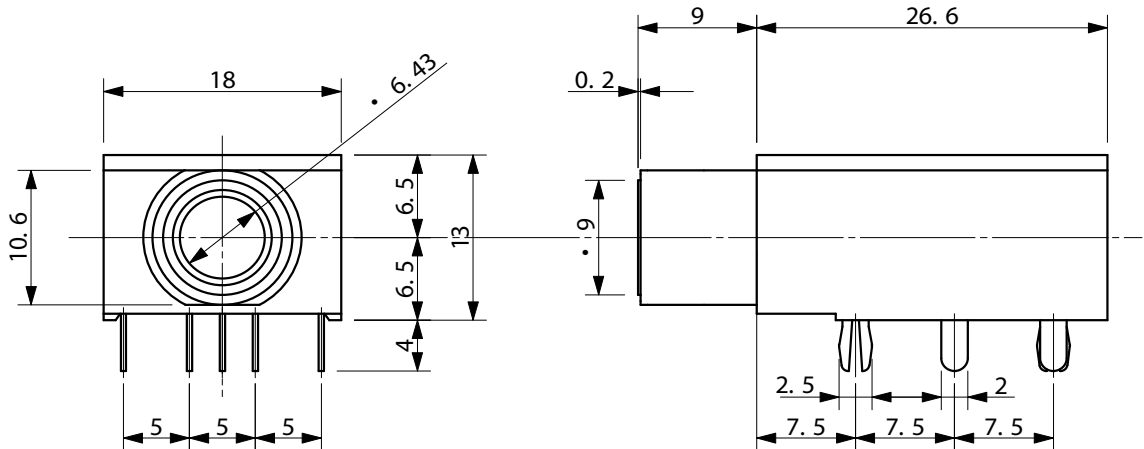
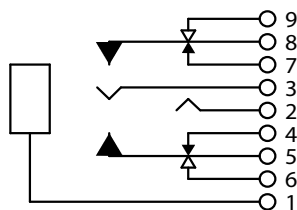


YHJ-065F-080S



**HOLE LAYOUT
(BOTTOMVIEW)**



PART NAME	QTY	MATERIAL	FINISH
BODY	1	P.C.+G 20%	
COVER	1	P.C.	
NYLON	2	6 NYLON	
METAL	1	BsBM2	Ni
SPRING	1	SUS-304	HEAT-TREATMENT
TERMINAL-1	1	PBSR-H 0.25t	Ag
TERMINAL-2	1	PBR-H 0.3t	Ag
TERMINAL-3	1	PBSR-H 0.3t	Ag
TERMINAL-4	1	BSR-H 0.4t	Ag
TERMINAL-5	1	PBSR-H 0.3t	Ag
TERMINAL-6	1	PBSR-H 0.3t	Ag
TERMINAL-7	1	BSR-H 0.4t	Ag
TERMINAL-8	1	PBSR-H 0.3t	Ag
TERMINAL-9	1	PBSR-H 0.3t	Ag



Phone 1-800-809-2751

Fax 1-510-440-0579

www.connect-tech-products.com • info@connect-tech-products.com

4428 Technology Drive • Fremont, CA 94538, USA • 510-498-8815 • Fax: 510-440-0579