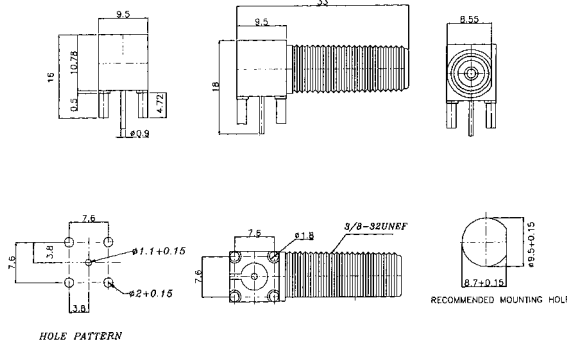


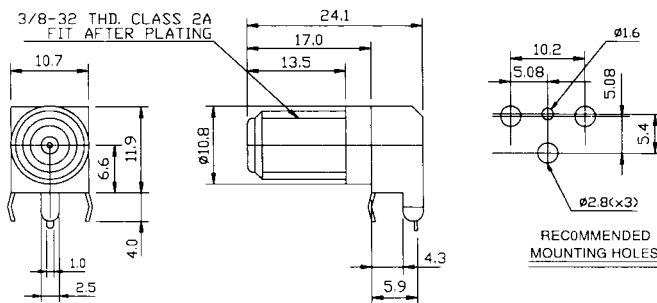
# F-Type: Right Angle, PCB Mount



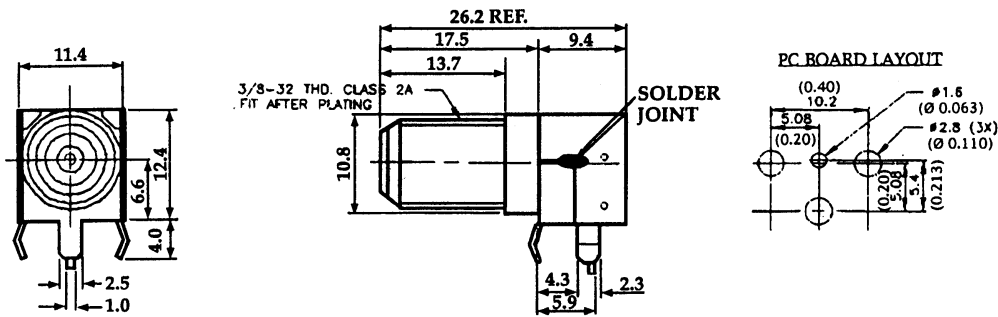
\*CTP-F219 = 28MM DIECAST



**CTP-F219-1**  
RIGHT ANGLE PCB MOUNT JACK



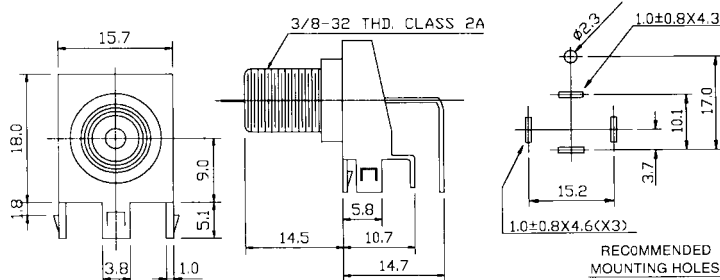
**CTP-156C**  
RIGHT ANGLE PCB MOUNT JACK



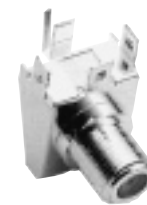
NOTE: LONGER VERSIONS AVAILABLE ADD -4 FOR 3.5MM LONGER



**CTP-156-C-S**



ALSO AVAILABLE WITH BNC JACK CTP-156-BNC



**CTP-156-D-3**  
RIGHT ANGLE PCB MOUNT JACK